



FEATURES

Precision Digital Control
 Main Parts made in Germany
 Designed for Mass Production
 Energy Saving and Safety Operation
 Europe CE Approved

OPTIONS

Foot pedal (Z-model)
 Auto greasing G3
 Oil Condition Monitoring OCM
 Quality control ICC3
 Graphical quality control ICC4
 Remote control unit R2 (double hand)
 Interface pack ETH (Communication TCP/IP & UDP)
 A3 signal
 Bar Code Reader BCR
 110V/220V 1 Phase
 230V/440V/480V 3 Phase

NC30

TECHNICAL DATA	
Crimping range (mm) ¹⁾	12-63
Crimping range (inch) ¹⁾	0.47-2.48
Max. crimping force (KN)	660
Max. crimping force (tonnage)	66
Cycle time 10 mm (s) ²⁾	1.4
Hose size ID (inch)	2
Die set series	NC30
Max. opening (mm) ³⁾	+26
Max. opening without dies (mm)	125
Master die D/L (mm)	99/35
Master die D/L (inch)	3.90/1.38
Motor Power (KW/HP)	4.0/5.0 (400V 3 Phase)
Oil tank volume	50 L
Z-model availability	YES

DIMENSIONS (LxWxH)	
Machine (mm)	685x1000x940
Machine (inch)	27.0x39.4x37.0
Packaged (mm)	785x1100x1040
Packaged (inch)	30.9x43.3x40.9

WEIGHT	
Machine (kg/lbs)	380/838
Packaged (kg/lbs)	410/904

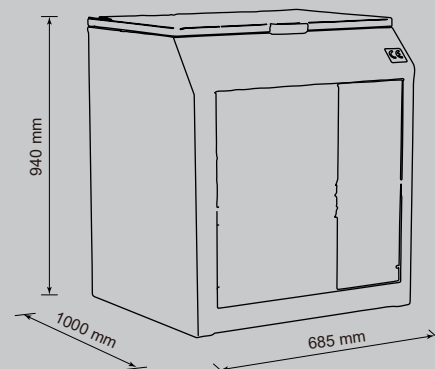
DIMENSIONS (LxWxH)	
Standard (mm)	835x885x997
Standard (inch)	32.9x34.8x39.3

WEIGHT (KG/LBS)	
Standard	288/529

- 1) With standard dies. Crimping range can be increased with special dies.
- 2) Theoretical with 10 mm cycle.
- 3) Maximum opening is the total die travel. Add this value to the minimum crimping diameter of the die set used. The result is the maximum opening of the machine with die set in place.

CONTROL

Precision Digital Control



DIE SET NC30-SERIES

DieSetNo	D (mm)	L (mm)	Crimp. range (mm)
702044/12	12	3	12.0-14.0
702044/14	14	3	14.0-16.0
702044/16	16	4	16.0-19.0
702044/19	19	4	19.0-22.0
702044/22	22	4.5	22.0-26.0
702044/26	26	4.5	26.0-30.0
702044/30	30	5	30.0-34.0
702044/34	34	5	34.0-39.0
702044/39	39	5	39.0-45.0
702044/45	45	5	45.0-51.0
702044/51	51	5	51.0-57.0
702044/57	57	5	57.0-63.0

* Optional die sets at additional cost

Products images & Specifications may alter prior official notice at any time.