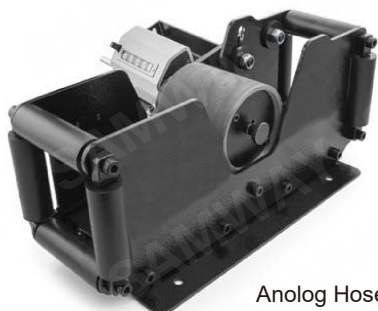


licznik odmierzaniado węży hydraulicznych

CRIMPING | SERVICE | HOSE COUNTER



Analog Hose Counter

FEATURES

Digital Hose Counter
Compatible with all SAMWAY hose cutting machine

OPTIONS

Analog Hose Counter

HOSE COUNTER

TECHNICAL DATA

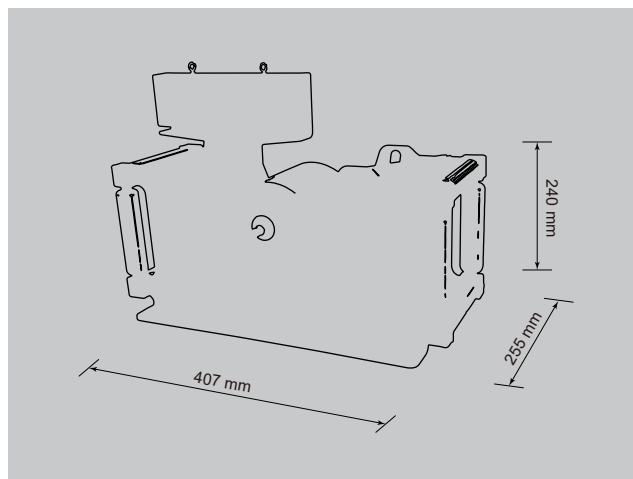
Hose Counter	Digital Display	220V 1 Phase
Display	0000.00 Meter	

DIMENSIONS (LxWxH)

Machine (mm)	407x255x240
Machine (inch)	16.0x10.0x9.4
Packaged (mm)	507x355x340
Packaged (inch)	20.0x14.0x13.4

WEIGHT

Machine (kg/lbs)	14/31
Packaged (kg/lbs)	21/46



Products images & Specifications may alter prior official notice at any time.