

zakuwarka do węży



FEATURES

Full Automatic Control with foot pedal
 Quick Change Tool and Die rack (Optional)
 Energy Saving and Safety Operation
 TUV CE Approved

OPTIONS

Back stop device
 Camera and monitor
 Customized die sets
 Customized voltage
 Customized Logo
 110V/220V 1 Phase
 230V/440V/480V 3 Phase

P20

TECHNICAL DATA

Max crimping dia (mm/inch) ¹⁾	61/2.40
Max crimping dia with master dies (mm/inch)	94/3.7
Max crimping force (kN)	1370
Max crimping force (tonnage)	137
Cycle time 10 mm (s) ²⁾³⁾	4
Hydraulic hose size (inch)	1 ½ *
Industrial hose size (inch)	2.40 *
Die set series	20
Max opening (mm) ⁴⁾	+25
Max opening without dies (mm)	109
Master die D/L (mm)	84/80
Master die D/L (inch)	3.31/3.15
Motor Power (KW/HP) ³⁾	3.0/4.0 1.5/2.0 (400V 3 Phase)
Oil tank volume	40 L

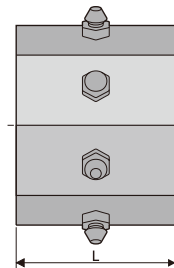
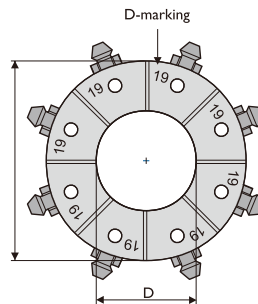
DIMENSIONS (LxWxH)

Machine (mm)	680x600x650
Machine (inch)	26.8x23.6x25.6
Packaged (mm)	740x640x840
Packaged (inch)	29.1x25.2x33.1

WEIGHT

Machine (kg/lbs)	200/441
Packaged (kg/lbs)	230/507

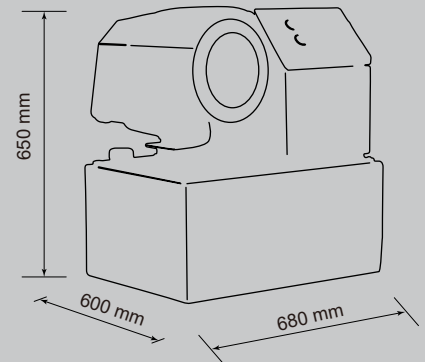
* ACCORDING TO THE FITTING.



- 1) With standard dies. Crimping range can be increased with special dies.
- 2) Theoretical with 10 mm cycle.
- 3) 3-phase/1-phase
- 4) Maximum opening is the total die travel. Add this value to the minimum crimping diameter of the die set used. The result is the maximum opening of the machine with die set in place.

CONTROL

Control with advanced



DIE SET 20-SERIES

DieSetNo	D (mm)	L (mm)	Crimp. range (mm)
*18506/10	10	60	10.0-12.0
*18506/12	12	60	12.0-14.0
18506/14	14	60	14.0-16.0
18506/16	16	60	16.0-19.0
18506/19	19	60	19.0-22.0
18506/22	22	75	22.0-26.0
18506/26	26	75	26.0-30.0
18506/30	30	75	30.0-34.0
18506/34	34	80	34.0-39.0
18506/39	39	80	39.0-45.0
18506/45	45	90	45.0-51.0
*18506/51	51	90	51.0-57.0
*18506/57	57	100	57.0-63.0
*18506/63	63	100	63.0-69.0
*18506/69	69	100	69.0-75.0
*18506/74	74	110	74.0-80.0
*18506/78	78	110	78.0-87.0

* Optional die sets at additional cost

Products images & Specifications may alter prior official notice at any time.