

Złączki hydrauliczne

hydraulic adaptors catalog




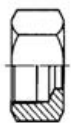
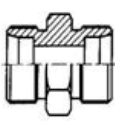

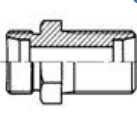

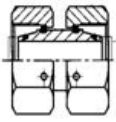
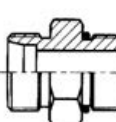

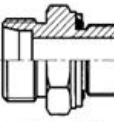
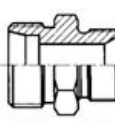

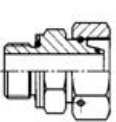

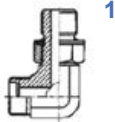
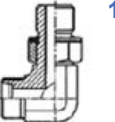
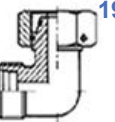
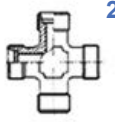
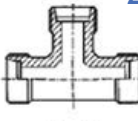
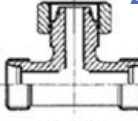
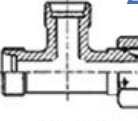
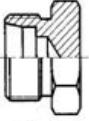
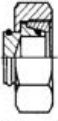
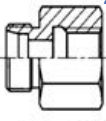
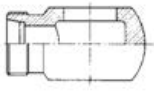
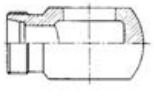
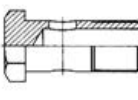
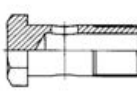

złącza metryczne	str. 1
złącza calowe BSP	str. 33
złącza JIC	str. 49
złącza ORFS	str. 65



® HYDRON hydrauliczna
ul. Kujawska 6a; 77-400 Złotów
woj. wielkopolskie; Polska
NIP: 5040002752; REGON: 301540500
Tel. +48 (67) 350 53 69;
kontakt@hydron.com.pl; www.hydron.com.pl

ZŁĄCZKI Z GWINTAMI METRYCZNYMI

METRIC ADAPTORS

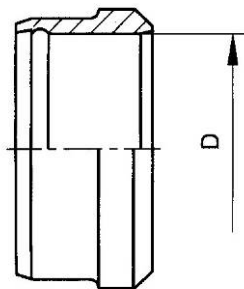
 RL, RS	 NL, NS	 1C, 1D	 1C, 1D	 6C, 6D	 2C, 2D
 3C, 3D	 1cb-wd	 2BC-WD, 2BD-WD	 1CG, 1DG	 1CB, 1DB	 2MC-WD, 2MD-WD
 2GC, 2GD	 1C9, 1D9	 1CH9-OG, 1DH9-OG	 1CG9, 1DG9-OG	 2C9, 2D9	 XC, XD
 AC, AD	 BC, BD	 CC, CD	 4C, 4D	 9C, 9D	 5CB, 5DB
 1C1-B, 1D1-B	 1C1, 1D1	 720B	 700M	 8C	

- | | |
|--|--------------------------------------|
| M1 Pierścień zacinający | M17 Przyłączka kolankowa |
| M2 Nakrętka łączna | M18 Przyłączka kolankowa |
| M3 Złączka prosta | M19 Kolanko AB |
| M4 Złączka prosta redukcyjna | M20 Czwrótnik |
| M5 Złączka grodziowa | M21 Trójkąt BBB |
| M6 Złączka AB redukcyjna | M22 Trójkąt BAB |
| M9 Złączka AA | M23 Trójkąt BBA |
| M10 Przyłączka prosta (BSP/M) | M24 Korek CEL zaślepiający |
| M11 Przyłączka AB (M/BSP) | M25 Korek DKOL zaślepiający |
| M12 Przyłączka prosta (BSP/M) | M26, M27 Tuleja różnicowa |
| M13 Przyłączka prosta (BSP/M) | M28, M29 Oczko z gwintem |
| M14 Przyłączka AB | M30 Śruby oczkowe |
| M15 Przyłączka AB | M31 Przeciwnakrętka metryczna |
| M16 Złączka kolankowa | |

wydanie v2 2019

HYDRON hydraulika siłowa

kontakt@hydron.com.pl; www.hydron.com.pl; tel. +48 (67) 350 53 69; fax. +48 (67) 350 53

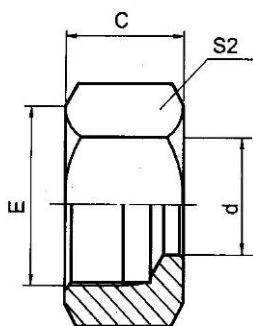


PIERŚCIEŃ ZACINAJĄCY

PIERŚCIEŃ ZACINAJĄCY(PN-65/M-73137)

RL, RS - CUTTING RING

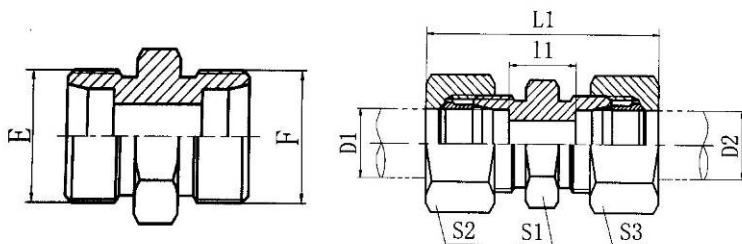
SYMBOL PART NO.	RURKA / D TUBE O.D.		WERSJA
	RL-06	6	
RL-08	8		
RL-10	10		
RL-12	12		
RL-15	15		
RL-18	18		
RL-22	22		
RL-28	28		
RL-35	35		
RL-42	42		
RS-06	6		wersja ciężka S
RS-08	8		
RS-10	10		
RS-12	12		
RS-14	14		
RS-16	16		
RS-20	20		
RS-25	25		
RS-30	30		
RS-38	38		



**NAKRĘTKA ZŁĄCZNA
 (DO PIERŚCIENIA ZACINAJĄCEGO)
 NL, NS - RETAINING NUTS**

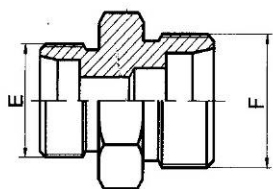
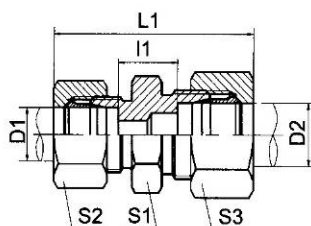
NAKRĘTKA ZŁĄCZNA (norma PN-65/M-73139)

SYMBOL PART NO.	GWINT / THREAD	RURKA / TUBE O.D.	WYMIARY / DIMENSIONS			CIŚNIENIE MPa
	E		C	d	S2	
NL-12	M12×1.5	6	14.5	6	14	wersja lekka L
NL-14	M14×1.5	8	14.5	8	17	
NL-16	M16×1.5	10	15.5	10	19	
NL-18	M18×1.5	12	15.5	12	22	
NL-22	M22×1.5	15	17	15	27	
NL-26	M26×1.5	18	18	18	32	
NL-30	M30×2	22	20	22	36	
NL-36	M36×2	28	21	28	41	
NL-45	M45×2	35	24	35	50	
NL-52	M52×2	42	24	42	60	
NS-14	M14×1.5	6	16.5	6	17	wersja ciężka S
NS-16	M16×1.5	8	16.5	8	19	
NS-18	M18×1.5	10	17.5	10	22	
NS-20	M20×1.5	12	17.5	12	24	
NS-22	M22×1.5	14	20.5	14	27	
NS-24	M24×1.5	16	20.5	16	30	
NS-30	M30×2	20	24	20	36	
NS-36	M36×2	25	27	25	46	
NS-42	M42×2	30	29	30	50	
NS-52	M52×2	38	32.5	38	60	


1C
1D
1C-RN
1D-RN
ZŁĄCZKA PROSTA METRYCZNA
STRAIGHT ADAPTORS

KORPUS ZŁĄCZKI PROSTEJ (PN-65/M-73141)

SYMBOL PART NO.	GWINT / THREAD		RURKA / TUBE O.D.		WYMIARY / DIMENSIONS					CIŚNIENIE MPa
	E	F	D1	D2	l1	L1	S1	S2	S3	
1C-12	M12×1.5	M12×1.5	6	6	10	37	12	14	14	31.5 wersja lekka L
1C-14	M14×1.5	M14×1.5	8	8	11	40	14	17	17	
1C-16	M16×1.5	M16×1.5	10	10	13	42	17	19	19	
1C-18	M18×1.5	M18×1.5	12	12	14	43	19	22	22	
1C-22	M22×1.5	M22×1.5	15	15	16	46	24	27	27	
1C-26	M26×1.5	M26×1.5	18	18	16	48	27	32	32	
1C-30	M30×2	M30×2	22	22	20	52	32	36	36	16 wersja lekka L
1C-36	M36×2	M36×2	28	28	21	54	41	41	41	
1C-45	M45×2	M45×2	35	35	20	63	46	50	50	
1C-52	M52×2	M52×2	42	42	21	66	55	60	60	
1D-14	M14×1.5	M14×1.5	6	6	16	45	14	17	17	63 wersja ciężka S
1D-16	M16×1.5	M16×1.5	8	8	18	47	17	19	19	
1D-18	M18×1.5	M18×1.5	10	10	17	49	19	22	22	
1D-20	M20×1.5	M20×1.5	12	12	19	51	22	24	24	
1D-22	M22×1.5	M22×1.5	14	14	22	57	24	27	27	
1D-24	M24×1.5	M24×1.5	16	16	21	57	27	30	30	40 wersja ciężka S
1D-30	M30×2	M30×2	20	20	23	66	32	36	36	
1D-36	M36×2	M36×2	25	25	26	74	41	46	46	
1D-42	M42×2	M42×2	30	30	27	80	46	50	50	
1D-52	M52×2	M52×2	38	38	29	90	55	60	60	31.5 wersja ciężka S

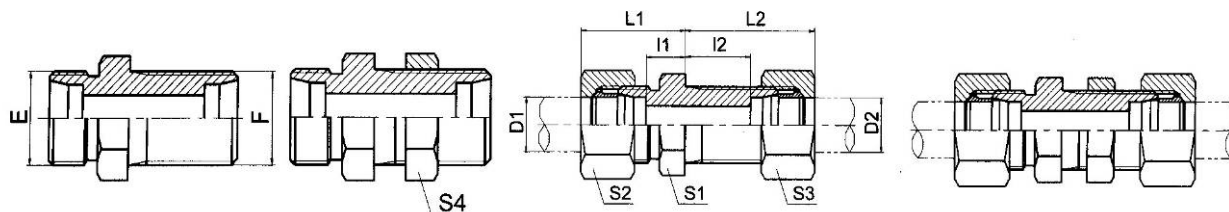
**1C、1D****1C-RN、1D-RN**
ZŁĄCZKA PROSTA REDUKCYJNA
STRAIGHT REDUCERS

KORPUS ZŁĄCZKI PROSTEJ EDUKCYJNEJ(ZN-141)

SYMBOL PART NO.	GWINT / THREAD		RURKA / TUBE O.D.		WYMIARY / DIMENSIONS					CIŚNIENIE MPa
	E	F	D1	D2	L1	l1	S1	S2	S3	
1C-12-14	M12×1.5	M14×1.5	6	8	40	11	14	15	17	31.5 wersja lekka L
1C-12-16	M12×1.5	M16×1.5	6	10	41	12	17	15	19	
1C-12-18	M12×1.5	M18×1.5	6	12	42	13	19	15	22	
1C-14-16	M14×1.5	M16×1.5	8	10	41	13	17	17	19	
1C-14-18	M14×1.5	M18×1.5	8	12	42	13	19	17	22	
1C-16-18	M16×1.5	M18×1.5	10	12	43	14	19	19	22	
1C-16-22	M16×1.5	M22×1.5	10	15	44.5	15	24	19	27	
1C-16-26	M16×1.5	M26×1.5	10	18	46	15.5	27	19	32	
1C-18-22	M18×1.5	M22×1.5	12	15	44.5	15	24	22	27	
1C-18-26	M18×1.5	M26×1.5	12	18	46	15.5	27	22	32	
1C-18-30	M18×1.5	M30×2	12	22	48	17.5	32	22	36	
1C-22-26	M22×1.5	M26×1.5	15	18	47.5	16.5	27	27	32	16 wersja lekka L
1C-22-30	M22×1.5	M30×2	15	22	49.5	18.5	32	27	36	
1C-26-30	M26×1.5	M30×2	18	22	50	18	32	32	36	
1C-26-36	M26×1.5	M36×2	18	28	51.5	19	41	32	41	
1C-30-36	M30×2	M36×2	22	28	53.5	21	41	36	41	
1C-30-45	M30×2	M45×2	22	35	58.5	21	46	36	50	
1C-36-45	M36×2	M45×2	28	35	59	21	46	41	50	
1D-14-16	M14×1.5	M16×1.5	6	8	47	18	17	17	19	63 wersja ciężka S
1D-14-18	M14×1.5	M18×1.5	6	10	48	17.5	19	17	22	
1D-14-20	M14×1.5	M20×1.5	6	12	50	19.5	22	17	24	
1D-16-18	M16×1.5	M18×1.5	8	10	48	17.5	19	19	22	
1D-16-20	M16×1.5	M20×1.5	8	12	50	19.5	22	19	24	
1D-18-20	M18×1.5	M20×1.5	10	12	51	19	22	22	24	
1D-18-22	M18×1.5	M22×1.5	10	14	54	20.5	24	22	27	
1D-18-30	M18×1.5	M30×2	10	20	59.5	22	32	22	36	
1D-20-22	M20×1.5	M22×1.5	12	14	54	20.5	24	24	27	40 wersja ciężka S
1D-20-24	M20×1.5	M24×1.5	12	16	54	20	27	24	30	
1D-20-30	M20×1.5	M30×2	12	20	59.5	22	32	24	36	
1D-22-24	M22×1.5	M24×1.5	14	16	57	21.5	27	27	30	
1D-24-30	M24×1.5	M30×2	16	20	62.5	23	32	30	36	
1D-24-36	M24×1.5	M36×2	16	25	67.5	25.5	41	30	46	
1D-30-36	M30×2	M36×2	20	25	71	25.5	41	36	46	
1D-30-42	M30×2	M42×2	20	30	74	26	46	36	50	

HYDRON hydraulika siłowa

kontakt@hydron.com.pl; www.hydron.com.pl; tel. +48 (67) 350 53 69; fax. +48 (67) 350 53 79



6C
6D

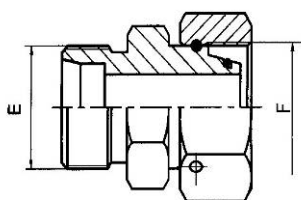
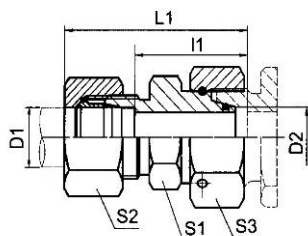
6C-LN
6D-LN

6C-RN
6D-RN

6C-LN/RN
6D-LN/RN

ZŁĄCZKA GRODZIOWA
STRAIGHT BULKHEAD FITTINGS

SYMBOL PART NO.	GWINT / THREAD		RURKA / TUBE O.D.		WYMIARY / DIMENSIONS							CIŚNIENIE MPa
	E	F	D1	D2	I1	I2	L1	L2	S1	S2,S3	S4	
6C-12	M12×1.5	M12×1.5	6	6	7	27	22	42	17	14	17	31.5 wersja lekka L
6C-14	M14×1.5	M14×1.5	8	8	8	27	23	42	19	17	19	
6C-16	M16×1.5	M16×1.5	10	10	10	28	25	43	22	19	22	
6C-18	M18×1.5	M18×1.5	12	12	10	29	25	44	24	22	24	
6C-22	M22×1.5	M22×1.5	15	15	12	31	27	46	27	27	30	
6C-26	M26×1.5	M26×1.5	18	18	13.5	32.5	30	49	32	32	36	16 wersja lekka L
6C-30	M30×2	M30×2	22	22	16.5	34.5	33	51	36	36	41	
6C-36	M36×2	M36×2	28	28	18.5	35.5	35	52	41	41	46	
6C-45	M45×2	M45×2	35	35	18.5	36.5	40	58	50	50	55	
6C-52	M52×2	M52×2	42	42	19	36	42	59	60	60	65	63 wersja ciężka S
6D-14	M14×1.5	M14×1.5	6	6	12	29	27	44	19	17	19	
6D-16	M16×1.5	M16×1.5	8	8	13	29	28	44	22	19	22	
6D-18	M18×1.5	M18×1.5	10	10	14.5	29.5	31	46	24	22	24	
6D-20	M20×1.5	M20×1.5	12	12	14.5	30.5	31	47	27	24	27	40 wersja ciężka S
6D-22	M22×1.5	M22×1.5	14	14	17	32	35	50	30	27	30	
6D-24	M24×1.5	M24×1.5	16	16	16.5	31.5	35	50	32	30	32	
6D-30	M30×2	M30×2	20	20	17.5	33.5	39	55	41	36	41	
6D-36	M36×2	M36×2	25	25	20	35	44	59	46	46	46	31.5 wersja ciężka S
6D-42	M42×2	M42×2	30	30	21.5	37.5	48	64	50	50	50	
6D-52	M52×2	M52×2	38	38	22	37	53	68	65	60	65	

**2C****2C-RN****ZŁĄCZKA AB**

REDUCER TUBE ADAPTOR WITH SWIVEL NUT

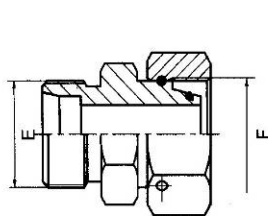
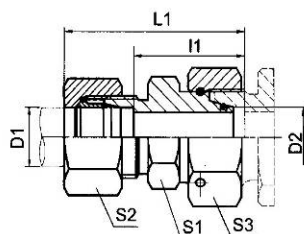
PRZY ZAMAWIANIU PAMIĘTAJ !

A = NAKRĘTKA

B = GWINT ZEWNĘTRZNY

SYMBOL PART NO.	GWINT / THREAD		RURKA / TUBE O.D.		WYMIARY / DIMENSIONS					CIŚNIENIE MPa
	E (B)	F (A)	D1	D2	I1	L1	S1	S2	S3	
2C-12-14	M12×1.5	M14×1.5	6	8	23.5	38	12	14	17	31.5 wersja lekka L
2C-12-16	M12×1.5	M16×1.5	6	10	25	40	14	14	19	
2C-14-16	M14×1.5	M16×1.5	8	10	25	40	14	17	19	
2C-12-18	M12×1.5	M18×1.5	6	12	25	40	17	14	22	
2C-14-18	M14×1.5	M18×1.5	8	12	25	40	17	17	22	
2C-16-18	M16×1.5	M18×1.5	10	12	26	41	17	19	22	
2C-12-22	M12×1.5	M22×1.5	6	15	28.5	43	19	14	27	
2C-14-22	M14×1.5	M22×1.5	8	15	28.5	43	19	17	27	
2C-16-22	M16×1.5	M22×1.5	10	15	29.5	44	19	19	27	
2C-18-22	M18×1.5	M22×1.5	12	15	29.5	44	19	22	27	
2C-12-26	M12×1.5	M26×1.5	6	18	28	43	24	14	32	
2C-14-26	M14×1.5	M26×1.5	8	18	28	43	24	17	32	
2C-16-26	M16×1.5	M26×1.5	10	18	29	44	24	19	32	
2C-18-26	M18×1.5	M26×1.5	12	18	29	44	24	22	32	
2C-22-26	M22×1.5	M26×1.5	15	18	30	45	24	27	32	
2C-12-30	M12×1.5	M30×2	6	22	32	47	27	14	36	16 wersja lekka L
2C-14-30	M14×1.5	M30×2	8	22	32	47	27	17	36	
2C-14-30	M14×1.5	M30×2	10	22	33	48	27	19	36	
2C-18-30	M16×1.5	M30×2	12	22	33	48	27	22	36	
2C-22-30	M18×1.5	M30×2	15	22	34	49	27	27	36	
2C-26-30	M26×1.5	M30×2	18	22	33.5	50	27	32	36	
2C-12-36	M12×1.5	M36×2	6	28	34	49	36	14	41	
2C-14-36	M14×1.5	M36×2	8	28	34	49	36	17	41	
2C-16-36	M16×1.5	M36×2	10	28	35	50	36	19	41	
2C-18-36	M18×1.5	M36×2	12	28	35	50	36	22	41	
2C-22-36	M22×1.5	M36×2	15	28	36	51	26	27	41	
2C-26-36	M26×1.5	M36×2	18	28	35.5	52	36	32	41	
2C-30-36	M30×2	M36×2	22	28	37.5	54	36	36	41	
2C-12-45	M12×1.5	M45×2	6	35	37	52	41	14	50	
2C-14-45	M14×1.5	M45×2	8	35	37	52	41	17	50	
2C-16-45	M16×1.5	M45×2	10	35	38	53	41	19	50	
2C-18-45	M18×1.5	M45×2	12	35	38	53	41	22	50	
2C-22-45	M22×1.5	M45×2	15	35	39	54	41	27	50	
2C-26-45	M26×1.5	M45×2	18	35	38.5	55	41	32	50	

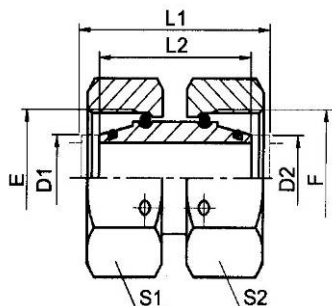
SYMBOL PART NO.	GWINT / THREAD		RURKA / TUBE O.D.		WYMIARY / DIMENSIONS					CIŚNIENIE MPa
	E	F	D1	D2	I1	L1	S1	S2	S3	
2C-30-45	M30×2	M45×2	22	35	40.5	57	41	36	50	16 wersja lekka L
2C-36-45	M36×2	M45×2	28	35	40.5	57	41	41	50	
2C-12-52	M12×1.5	M52×2	6	42	40.5	55	50	14	60	
2C-14-52	M14×1.5	M52×2	8	42	40.5	55	50	17	60	
2C-16-52	M16×1.5	M52×2	10	42	41.5	56	50	19	60	
2C-18-52	M28×1.5	M52×2	12	42	41.5	56	50	22	60	
2C-22-52	M22×1.5	M52×2	15	42	42.5	58	50	27	60	
2C-26-52	M26×1.5	M52×2	18	42	42	58	50	32	60	
2C-30-52	M30×2	M52×2	22	42	44	60	50	36	60	
2C-36-52	M36×2	M52×2	28	42	44	61	50	41	60	
2C-45-52	M45×2	M52×2	35	42	43	65	50	50	60	

**2D****2D-RN**

ZŁĄCZKA AB (WERSJA CIĘŻKA)
REDUCER TUBE ADAPTOR WITH SWIVEL NUT

SYMBOL PART NO.	GWINT / THREAD		RURKA / TUBE O.D.		WYMIARY / DIMENSIONS					CIŚNIENIE MPa
	E	F	D1	D2	I1	L1	S1	S2	S3	
2D-14-16	M14×1.5	M16×1.5	6	8	27	42	14	17	19	63 wersja ciężka S
2D-14-18	M14×1.5	M18×1.5	6	10	27.5	42	17	17	22	
2D-16-18	M16×1.5	M18×1.5	8	10	27.5	42	17	19	22	
2D-14-20	M14×1.5	M20×1.5	6	12	29	44	17	17	24	
2D-16-20	M16×1.5	M20×1.5	8	12	29	44	17	19	24	
2D-18-20	M18×1.5	M20×1.5	10	12	31	46	19	22	24	
2D-14-22	M14×1.5	M22×1.5	6	14	31.5	46	19	17	27	
2D-16-22	M16×1.5	M22×1.5	8	14	31.5	46	19	19	27	
2D-18-22	M18×1.5	M22×1.5	10	14	31	47	19	22	27	
2D-20-22	M20×1.5	M22×1.5	12	14	31	47	22	24	27	

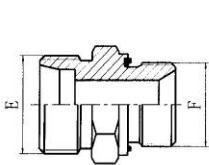
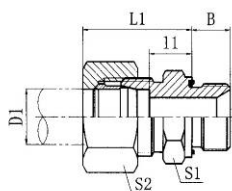
SYMBOL PART NO.	GWINT / THREAD		RURKA / TUBE O.D.		WYMIARY / DIMENSIONS					CIŚNIENIE MPa
	E	F	D1	D2	I1	L1	S1	S2	S3	
2D-14-24	M14×1.5	M24×1.5	6	16	32	47	22	17	30	40 wersja ciężka S
2D-16-24	M16×1.5	M24×1.5	6	16	32	47	22	19	30	
2D-18-24	M18×1.5	M24×1.5	10	16	31.5	48	22	22	30	
2D-20-24	M20×1.5	M24×1.5	12	16	33.5	50	22	24	30	
2D-22-24	M22×1.5	M24×1.5	14	16	33	51	24	27	30	
2D-14-30	M14×1.5	M30×2	6	20	36	51	27	17	36	
2D-16-30	M16×1.5	M30×2	8	20	36	51	27	19	36	
2D-18-30	M18×1.5	M30×2	10	20	35.5	52	27	22	36	
2D-20-30	M20×1.5	M30×2	12	20	35.5	52	27	24	36	
2D-22-30	M22×1.5	M30×2	14	20	37	55	27	27	36	
2D-24-30	M24×1.5	M30×2	16	20	37.5	55	30	30	36	
2D-14-36	M14×1.5	M36×2	6	25	38.5	53	36	17	46	
2D-16-36	M16×1.5	M36×2	8	25	38.5	53	36	19	46	
2D-18-36	M18×1.5	M36×2	10	25	38	54	36	22	46	
2D-20-36	M20×1.5	M36×2	12	25	38	54	36	24	46	
2D-22-36	M22×1.5	M36×2	14	25	39.5	57	36	27	46	
2D-24-36	M24×1.5	M36×2	16	25	39	57	36	30	46	
2D-30-36	M30×2	M36×2	20	25	39	61	36	36	46	
2D-14-42	M14×1.5	M42×2	6	30	44	59	41	17	50	
2D-16-42	M16×1.5	M42×2	8	30	44	59	41	19	50	
2D-18-42	M18×1.5	M42×2	10	30	43.5	60	41	22	50	
2D-20-42	M20×1.5	M42×2	12	30	43.5	60	41	24	50	
2D-22-42	M22×1.5	M42×2	14	30	45	63	41	27	50	
2D-24-42	M24×1.5	M42×2	16	30	44.5	63	41	30	50	
2D-30-42	M30×2	M42×2	20	30	44.5	66	41	36	50	
2D-36-42	M36×2	M42×2	25	30	44	69	41	46	50	
2D-14-52	M14×1.5	M52×2	6	38	47.5	62	50	17	60	
2D-16-52	M16×1.5	M52×2	8	38	47.5	62	50	19	60	
2D-18-52	M18×1.5	M52×2	10	38	47	63	50	22	60	
2D-20-52	M20×1.5	M52×2	12	38	47	63	50	24	60	
2D-22-52	M22×1.5	M52×2	14	38	48.5	66	50	27	60	
2D-24-52	M24×1.5	M52×2	16	38	48	66	50	30	60	
2D-30-52	M30×2	M52×2	20	38	48	70	50	36	60	
2D-36-52	M36×2	M52×2	25	38	48.5	73	50	46	60	
2D-42-52	M42×2	M52×2	30	38	49	76	50	50	60	



3C
3D

ZŁĄCZKA PROSTA AA
STRAIGHT TUBE ADAPTERS
WITH SWIVEL NUT

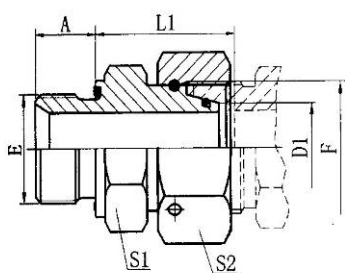
SYMBOL PART NO.	GWINT / THREAD	RURKA / TUBE O.D.	WYMIARY / DIMENSIONS			CIŚNIENIE MPa
	E,F	D1,D2	L1	L2	S1, S2	
3C-12	M12×1.5	6	33	32	14	31.5 wersja lekka L
3C-14	M14×1.5	8	33	32	17	
3C-16	M16×1.5	10	34	33	19	
3C-18	M18×1.5	12	34	33	22	
3C-22	M22×1.5	15	39	38	27	
3C-26	M26×1.5	18	41	39	32	
3C-30	M30×2	22	44	42	36	16 wersja lekka L
3C-36	M36×2	28	48	46	46	
3C-45	M45×2	35	52	48	50	
3C-52	M52×2	42	57	52	60	
3D-14	M14×1.5	6	33	32	17	63 wersja ciężka S
3D-16	M16×1.5	8	34	33	19	
3D-18	M18×1.5	10	35	33	22	
3D-20	M20×1.5	12	38	36	24	
3D-22	M22×1.5	14	41	39	27	
3D-24	M24×1.5	16	42	39	30	40 wersja ciężka S
3D-30	M30×2	20	48	44	36	
3D-36	M36×2	25	53	46	46	
3D-42	M42×2	30	62	52	50	
3D-52	M52×2	38	67	52	60	31.5 wersja ciężka S


1CB-WD
1DB-WD

1CB-WD/RN
1DB-WD/RN
**PRZYŁĄCZKA PROSTA CALOWO
 METRYCZNA Z USZCZELKĄ ED
 BSP THREAD WITH CAPTIVE SEAL**

SYMBOL PART NO.	GWINT / THREAD		RURKA / D1	SEAL	WYMIARY / DIMENSIONS					CIŚNIENIE MPa
	E	F	TUBE O.D.		B	l1	L1	S1	S2	
1CB-12-02WD	M12×1.5	G1/8"×28	6	WD-B02	8	8.5	23.5	14	14	31.5 wersja lekka L
1CB-12-04WD	M12×1.5	G1/4"×19	6	WD-B04	12	10	25	19	14	
1CB-12-06WD	M12×1.5	G3/8"×19	6	WD-B06	12	11.5	26.5	22	14	
1CB-14-02WD	M14×1.5	G1/8"×28	8	WD-B02	8	9	24	14	17	
1CB-14-04WD	M14×1.5	G1/4"×19	8	WD-B04	12	10	24	19	17	
1CB-14-06WD	M14×1.5	G3/8"×19	8	WD-B06	12	11	26	22	17	
1CB-16-04WD	M16×1.5	G1/4"×19	10	WD-B04	12	11	24.5	19	19	
1CB-16-06WD	M16×1.5	G3/8"×19	10	WD-B06	12	12.5	26	22	19	
1CB-16-08WD	M16×1.5	G1/2"×14	10	WD-B08	14	13	28	27	19	
1CB-18-04WD	M18×1.5	G1/4"×19	12	WD-B04	12	12	27	19	22	
1CB-18-06WD	M18×1.5	G3/8"×19	12	WD-B06	12	12.5	26	22	22	
1CB-18-08WD	M18×1.5	G1/2"×14	12	WD-B08	14	14	28	27	22	
1CB-22-04WD	M22×1.5	G1/4"×19	15	WD-B04	12	13	28	24	27	
1CB-22-06WD	M22×1.5	G3/8"×19	15	WD-B06	12	13.5	28	24	27	
1CB-22-08WD	M22×1.5	G1/2"×14	15	WD-B08	14	14	29	27	27	
1CB-22-12WD	M22×1.5	G3/4"×14	15	WD-B12	16	15	29	32	27	
1CB-26-08WD	M26×1.5	G1/2"×14	18	WD-B08	14	14.5	31	27	32	
1CB-26-12WD	M26×1.5	G3/4"×14	18	WD-B12	16	14.5	31	32	32	
1CB-30-12WD	M30×2	G3/4"×14	22	WD-B12	16	16.5	33	32	36	16 wersja lekka L
1CB-36-16WD	M36×2	G1"×11	28	WD-B16	18	17.5	34	41	41	
1CB-45-20WD	M45×2	G1.1/4"×11	35	WD-B20	20	17.5	39	50	50	
1CB-52-24WD	M52×2	G1.1/2"×11	42	WD-B24	22	19	42	55	60	63 wersja ciężka S
1DB-14-04WD	M14×1.5	G1/4"×19	6	WD-B04	12	15		19	17	
1DB-16-04WD	M16×1.5	G1/4"×19	8	WD-B04	12	15	30	19	19	
1DB-16-06WD	M16×1.5	G3/8"×19	8	WD-B06	12	15.5	30	22	19	
1DB-18-04WD	M18×1.5	G1/4"×19	10	WD-B04	12	14.5	31	19	22	
1DB-18-06WD	M18×1.5	G3/8"×19	10	WD-B06	12	14.5	31	22	22	
1DB-18-08WD	M18×1.5	G1/2"×14	10	WD-B08	14	17.5	34	27	22	
1DB-20-04WD	M20×1.5	G1/4"×19	12	WD-B04	12	16.5	33	22	24	
1DB-20-06WD	M20×1.5	G3/8"×19	12	WD-B06	12	15	33	22	24	
1DB-20-08WD	M20×1.5	G1/2"×14	12	WD-B08	14	17.5	34	27	24	
1DB-22-08WD	M22×1.5	G1/2"×14	14	WD-B08	14	19	37	27	27	40 wersja ciężka
1DB-24-06WD	M24×1.5	G3/8"×19	16	WD-B06	12	18	36.5	27	30	
1DB-24-08WD	M24×1.5	G1/2"×14	16	WD-B08	14	18.5	37	27	30	

1DB-24-12WD	M24×1.5	G3/4"×14	16	WD-B12	16	20.5	39	32	30	S
-------------	---------	----------	----	--------	----	------	----	----	----	---

SYMBOL PART NO.	GWINT / THREAD		RURKA / D1	SEAL	WYMIARY / DIMENSIONS					CIŚNIENIE MPa
	E	F	TUBE O.D.		B	I1	L1	S1	S2	
1DB-30-12WD	M30×2	G3/4"×14	20	WD-B12	16	20.5	42	32	36	40 wersja ciężka S
1DB-36-08WD	M36×2	G1/2"×14	25	WD-B08	14	23	47	41	46	
1DB-36-12WD	M36×2	G3/4"×14	25	WD-B12	16	23	47	41	46	
1DB-36-16WD	M36×2	G1"×11	25	WD-B16	18	23	47	41	46	
1DB-42-20WD	M42×2	G1.1/4"×11	30	WD-B20	20	23.5	50	50	50	31.5wersja ciężkaS
1DB-52-24WD	M52×2	G1.1/2"×11	38	WD-B24	22	26	57	55	60	



PRZYŁĄCZKA AB

A= NAKRĘTKA

B= GWINT ZEWNĘTRZNY

2BC-WD AND 2BD-WD

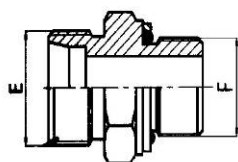
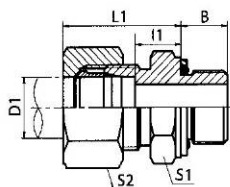
BSP THREAD WITH CAPTIVE SEAL /

METRIC FEMALE 24° CONE O-RING SEALING

SYMBOL PART NO.	GWINT / THREAD		RURKA / D1	SEAL	WYMIARY / DIMENSIONS				CIŚNIENIE MPa
	E (B)	F (A) NAKRĘTKA	TUBE O.D.		A	L1	S1	S2	
2BC-02-12WD	G1/8"×28	M12×1.5	6	WD-B02	8	24.5	14	14	31.5 wersja lekka L
2BC-04-14WD	G1/4"×19	M14×1.5	8	WD-B04	12	29.5	19	17	
2BC-04-16WD	G1/4"×19	M16×1.5	10	WD-B04	12	27.5	19	19	
1BC-06-18WD	G3/8"×19	M18×1.5	12	WD-B06	12	34	22	22	
2BC-08-22WD	G1/2"×14	M22×1.5	15	WD-B08	14	32	27	27	
2BC-08-26WD	G1/2"×14	M26×1.5	18	WD-B08	14	31.5	27	32	
2BC-12-30WD	G3/4"×14	M30×2	22	WD-B12	16	32.5	32	36	16 wersja lekka L
2BC-16-36WD	G1"×11	M36×2	28	WD-B16	18	35	41	41	
2BC-20-45WD	G1.1/4"×11	M45×2	35	WD-B20	20	42.5	50	50	
2BC-24-52WD	G1.1/2"×11	M52×2	42	WD-B24	22	46.5	55	60	
2BD-04-14WD	G1/4"×19	M14×1.5	6	WD-B04	12	27	19	17	63 wersja ciężka S
2BD-04-16WD	G1/4"×19	M16×1.5	8	WD-B04	12	29.5	19	19	
2BD-06-18WD	G3/8"×19	M18×1.5	10	WD-B06	12	32	22	22	
2BD-06-20WD	G3/8"×19	M20×1.5	12	WD-B06	12	34	22	24	
2BD-08-22WD	G1/2"×14	M22×1.5	14	WD-B08	14	36.5	27	27	
2BD-08-24WD	G1/2"×14	M24×1.5	16	WD-B08	14	37	27	30	
2BD-12-30WD	G3/4"×14	M30×2	20	WD-B12	16	43	32	36	40 wersja ciężka S
2BD-16-36WD	G1"×11	M36×2	25	WD-B16	18	48	41	46	
2BD-20-42WD	G1.1/4"×11	M42×2	30	WD-B20	20	51	50	50	
2BD-24-52WD	G1.1/2"×11	M52×2	38	WD-B24	22	60	55	60	
									31.5 wersja

HYDRON hydraulika siłowa

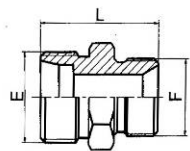
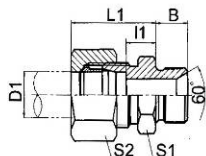
kontakt@hydron.com.pl; www.hydron.com.pl; tel. +48 (67) 350 53 69; fax. +48 (67) 350 53 79

**1CG \ 1DG****1CG-RN \ 1DG-RN****PRZYŁĄCZKA PROSTA z uszczelką**
**BSP THREAD STUD ENDS
 WITH O-RING SEALING**

SYMBOL PART NO.	GWINT / THREAD		RURKA / TUBE O.D.	WYMIARY / DIMENSIONS					CIŚNIENIE MPa
	E	F		D1	B	I1	L1	S1	
1CG-12-02	M12×1.5	G1/8"×28	6	9.5	8.5	23	14	14	31.5 wersja lekka L
1CG-12-04	M12×1.5	G1/4"×19	6	10	10	25	19	14	
1CG-14-04	M14×1.5	G1/4"×19	8	10	10	25	19	17	
1CG-14-06	M14×1.5	G3/8"×19	8	11.5	11.5	26	22	17	
1CG-14-08	M14×1.5	G1/2"×14	8	14	13	27.5	27	34	
1CG-16-04	M16×1.5	G1/4"×19	10	10	11	26	19	19	
1CG-16-06	M16×1.5	G3/8"×19	10	11.5	12.5	27	22	19	
1CG-16-08	M16×1.5	G1/2"×14	10	14	14	29	27	19	
1CG-18-06	M18×1.5	G3/8"×19	12	11.5	12.5	27	22	22	
1CG-18-08	M18×1.5	G1/2"×14	12	14	13	28	27	22	
1CG-22-06	M22×1.5	G3/8"×19	15	11.5	13.5	29	24	27	
1CG-22-08	M22×1.5	G1/2"×14	15	14	14	29	27	27	
1CG-22-12	M22×1.5	G3/4"×14	15	15.5	20	30	32	32	
1CG-26-08	M26×1.5	G1/2"×14	18	14	14.5	31	27	32	
1CG-26-12	M26×1.5	G3/4"×14	18	15.5	14.5	32	32	32	
1CG-30-12	M30×2	G3/4"×14	22	15.5	16.5	33	32	36	16 wersja lekka L
1CG-30-16	M30×2	G1"×11	22	18	17.5	35	41	36	
1CG-36-16	M36×2	G1"×11	28	18	17.5	34	41	41	
1CG-45-20	M45×2	G1.1/4"×11	35	20	17.5	39	50	50	
1CG-52-20	M52×2	G1.1/4"×11	42	20	19	42	55	60	
1CG-52-24	M52×2	G1.1/2"×11	42	21.5	19	42	55	60	
1CG-52-32	M52×2	G2"×11	42	24.5	25	44	70	60	63 wersja ciężka S
1DG-14-04	M14×1.5	G1/4"×19	6	10	13	28	19	17	
1DG-16-04	M16×1.5	G1/4"×19	8	10	15	31	19	19	
1DG-18-04	M18×1.5	G1/4"×19	10	10	14.5	31	19	22	
1DG-18-06	M18×1.5	G3/8"×19	10	11.5	15	31	22	22	
1DG-20-06	M20×1.5	G3/8"×19	12	11.5	17	32	22	24	
1DG-20-08	M20×1.5	G1/2"×14	12	14	17.5	34	27	24	
1DG-22-06	M22×1.5	G3/8"×19	14	11.5	19	37	24	27	
1DG-22-08	M22×1.5	G1/2"×14	14	14	19	37	27	27	
1DG-24-04	M24×1.5	G1/4"×19	16	11	18	37	27	30	
1DG-24-08	M24×1.5	G1/2"×14	16	14	18.5	37	27	30	
1DG-30-12	M30×2	G3/4"×14	20	15.5	20.5	42	32	36	
1DG-36-12	M36×2	G3/4"×14	25	15.5	23	47	41	46	

HYDRON hydraulika siłowa

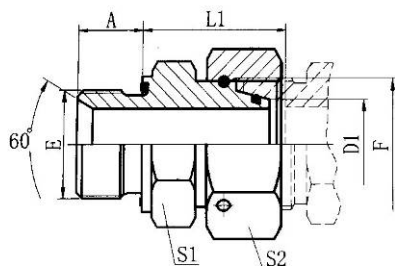
kontakt@hydrone.com.pl; www.hydrone.com.pl; tel. +48 (67) 350 53 69; fax. +48 (67) 350 53 79

**1CB**
1DB**1CB-RN**
1DB-RN**PRZYŁĄCZKA PROSTA CALOWO METRYCZNA**BSP THREAD 60° CONE SEALING OR
BONDED SEAL STUD ENDS

SYMBOL PART NO.	GWINT / THREAD		RURKA / TUBE O.D.	WYMIARY / DIMENSIONS						CIŚNIENIE MPa
	E	F		D1	B	I1	L1	L	S1	
1CB-12-02	M12×1.5	G1/8"×28	6	10	8	23	24	14	14	31.5 wersja lekka L
1CB-12-04	M12×1.5	G1/4"×19	6	12	9	24	28	19	14	
1CB-14-02	M14×1.5	G1/8"×28	8	10	8	23	25	14	17	
1CB-14-04	M14×1.5	G1/4"×19	8	12	9	25	28	19	17	
1CB-14-06	M14×1.5	G3/8"×19	8	13.5	9	24	28.5	22	17	
1CB-16-04	M16×1.5	G1/4"×19	10	12	10	25	28	19	19	
1CB-16-06	M16×1.5	G3/8"×19	10	13.5	12.5	25	33	22	19	
1CB-16-08	M16×1.5	G1/2"×14	10	16	11	26	32	27	19	
1CB-18-04	M18×1.5	G1/4"×19	12	12	10	25	29	19	22	
1CB-18-06	M18×1.5	G3/8"×19	12	13.5	10	25	30.5	22	22	
1CB-18-08	M18×1.5	G1/2"×14	12	16	11	26	33	27	22	
1CB-18-12	M18×1.5	G3/4"×14	12	18.5	11	26	36.5	32	22	
1CB-22-06	M22×1.5	G3/8"×19	15	13.5	11	26	31.5	24	27	
1CB-22-08	M22×1.5	G1/2"×14	15	16	12	27	34	27	27	
1CB-26-08	M26×1.5	G1/2"×14	18	16	11.5	28	35	27	32	
1CB-26-12	M26×1.5	G3/4"×14	18	18.5	11.5	28	35.5	32	32	
1CB-30-12	M30×2	G3/4"×14	22	18.5	13.5	30	39.5	32	36	16 wersja lekka L
1CB-36-12	M36×2	G1"×11	28	20.5	14.5	31	42.5	41	41	
1CB-45-20	M45×2	G1.1/4"×11	35	20.5	15.5	37	45.5	50	50	
1CB-52-24	M52×2	G1.1/2"×11	42	23	16	39	50	55	60	63 wersja ciężka S
1DB-14-04	M14×1.5	G1/4"×19	6	12	13	28	30	19	17	
1DB-16-04	M16×1.5	G1/4"×19	8	12	13	28	32	19	19	
1DB-16-06	M16×1.5	G3/8"×19	8	13.5	15	32	35.5	22	19	
1DB-18-04	M18×1.5	G1/4"×19	10	12	12.5	29	32	19	22	
1DB-18-06	M18×1.5	G3/8"×19	10	13.5	14.5	31	33.5	22	22	
1DB-18-08	M18×1.5	G1/2"×14	10	16	14.5	31	36	27	22	
1DB-20-04	M20×1.5	G1/4"×19	12	12	14.5	31	34	22	24	
1DB-20-06	M20×1.5	G3/8"×19	12	13.5	14.5	31	35.5	22	24	
1DB-20-08	M20×1.5	G1/2"×14	12	16	14.5	31	38	27	24	
1DB-22-08	M22×1.5	G1/2"×14	14	16	16	34	40	27	27	40 wersja ciężka S
1DB-24-06	M24×1.5	G3/8"×19	16	13.5	15.5	34	37.5	27	30	
1DB-24-08	M24×1.5	G1/2"×14	16	16	15.5	34	40	27	30	
1DB-24-12	M24×1.5	G3/4"×14	16	18.5	17.5	36	44.5	32	30	
1DB-30-12	M30×2	G3/4"×14	20	18.5	17.5	39	48.5	32	36	
1DB-36-08	M36×2	G1/2"×14	25	16	19	43	48	38	46	
1DB-36-12	M36×2	G3/4"×14	25	18.5	19	43	50.5	38	46	

HYDRON hydraulika siłowa

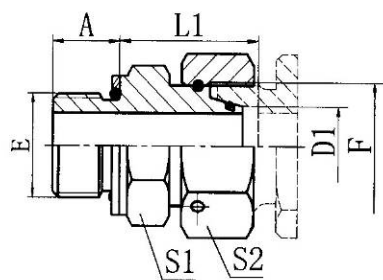
kontakt@hydron.com.pl; www.hydron.com.pl; tel. +48 (67) 350 53 69; fax. +48 (67) 350 53 79



PRZYŁĄCZKA AB

2MC-WD, 2MD-WD
 METRIC THREAD WITH CAPTIVE SEAL /
 METRIC FEMALE 24° CONE O-RING SEALING

SYMBOL PART NO.	GWINT / THREAD		RURKA / D1	SEAL	WYMIARY / DIMENSIONS				CIŚNIENIE MPa
	E PRZYŁĄCZKA	F (NAKRĘTKA)	TUBE O.D.		A	L1	S1	S2	
2MC-10-12WD	M10×1	M12×1.5	6	WD-B02	8	24.5	14	14	31.5 wersja lekka L
2MC-12-14WD	M12×1.5	M14×1.5	8	WD-M12	12	26.5	17	17	
2MC-14-16WD	M14×1.5	M16×1.5	10	WD-B04	12	27.5	19	19	
2MC-16-18WD	M16×1.5	M18×1.5	12	WD-M16	12	30.5	22	22	
2MC-18-22WD	M18×1.5	M22×1.5	15	WD-M18	12	31.5	24	27	
2MC-22-26WD	M22×1.5	M26×1.5	18	WD-M22	14	31.5	27	32	
2MC-26-30WD	M26×1.5	M30×2	22	WD-M22	16	32.5	32	36	
2MC-33-36WD	M33×2	M36×2	28	WD-B16	18	35	41	41	16 wersja lekka L
2MC-42-45WD	M42×2	M45×2	35	WD-B20	20	42.5	50	50	
2MC-48-52WD	M48×2	M52×2	42	WD-B24	22	46.5	55	60	
2MD-12-14WD	M12×1.5	M14×1.5	6	WD-M12	12	27	17	17	63 wersja ciężka S
2MD-14-16WD	M14×1.5	M16×1.5	8	WD-B04	12	29.5	19	19	
2MD-16-18WD	M16×1.5	M18×1.5	10	WD-M16	12	32	22	22	
2MD-18-20WD	M18×1.5	M20×1.5	12	WD-M18	12	34	24	24	
2MD-20-22WD	M20×1.5	M22×1.5	14	WD-M20	14	36.5	27	27	
2MD-22-24WD	M22×1.5	M24×1.5	16	WD-M22	14	37	27	30	40 wersja ciężka S
2MD-27-30WD	M27×2	M30×2	20	WD-B12	16	43	32	36	
2MD-33-36WD	M33×2	M36×2	25	WD-B16	18	48	41	46	
2MD-42-42WD	M42×2	M42×2	30	WD-B20	20	51	50	50	
2MD-48-52WD	M48×2	M52×2	38	WD-B24	22	60	55	60	31.5 wersja ciężka S



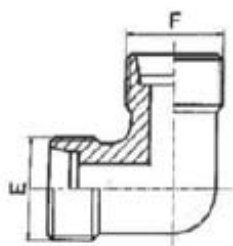
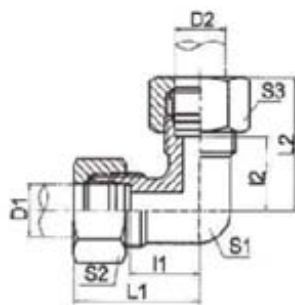
PRZYŁĄCZKA AB

2GC; 2GD

BSP THREAD STUD ENDS WITH O-RING SEALING / METRIC

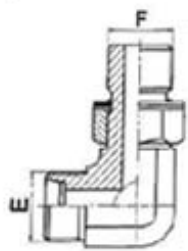
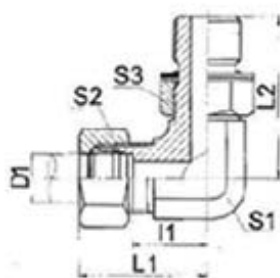
FEMALE 24° CONE O-RING SEALING

SYMBOL PART NO.	GWINT / THREAD		RURKA / TUBE O.D. D1	WYMIARY / DIMENSIONS				CIŚNIENIE MPa
	E	F		A	L1	S1	S2	
2GC-02-12	G1/8"×28	M12×1.5	6	9.5	20.5	14	14	31.5 wersja lekka L
2GC-04-14	G1/4"×19	M14×1.5	8	10	23.5	19	17	
2GC-04-16	G1/4"×19	M16×1.5	10	10	24	19	19	
2GC-06-18	G3/8"×19	M18×1.5	12	11.5	25.5	22	27	
2GC-08-22	G1/2"×14	M22×1.5	15	14	28.5	27	22	
2GC-08-26	G1/2"×14	M26×1.5	18	14	29	27	32	
2GC-12-30	G3/4"×14	M30×2	22	15.5	32	32	36	16 wersja lekka L
2GC-16-36	G1"×11	M36×2	28	18	35	41	41	
2GC-20-45	G1.1/4"×11	M45×2	35	20	38	50	50	
2GC-24-52	G1.1/2"×11	M52×2	42	21.5	41.5	55	60	
2GD-04-14	G1/4"×19	M14×1.5	6	10	23	19	17	63 wersja ciężka S
2GD-04-16	G1/4"×19	M16×1.5	8	10	26	19	19	
2GD-06-18	G3/8"×19	M18×1.5	10	11.5	25	22	22	
2GD-06-20	G3/8"×19	M20×1.5	12	11.5	28.5	22	24	
2GD-08-22	G1/2"×14	M22×1.5	14	14	31.5	27	27	
2GD-08-24	G1/2"×14	M24×1.5	16	14	30	27	30	40 wersja ciężka S
2GD-12-30	G3/4"×14	M30×2	20	15.5	36	32	36	
2GD-16-36	G1"×11	M36×2	25	18	38.5	41	46	
2GD-20-42	G1.1/4"×11	M42×2	30	20	42	50	50	
2GD-24-52	G1.1/2"×11	M52×2	38	21.5	47.5	55	60	31.5wersja lekkaS

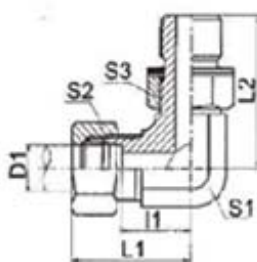

1C9
1D9

1C9-RN
1D9-RN
ZŁĄCZKA KOLANKOWA (KOLANKO BB)
90° Elbow FITTINGS

KORPUS ZŁĄCZKI KOLANKOWEJ (PN-65/M-731413)

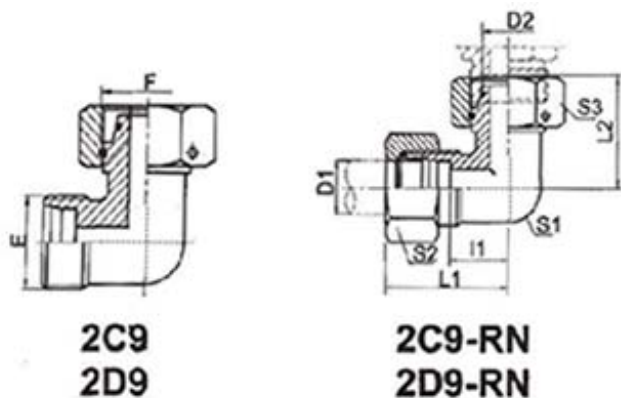
SYMBOL PART NO.	GWINT / THREAD		RURKA / TUBE O.D.	WYMIARY / DIMENSIONS					CIŚNIENIE MPa
	E	F		D1	D2	I1,I2	L1,L2	S1	
1C9-12	M12×1.5	M12×1.5	6	6	12	27	12	14	31.5 wersja lekka L
1C9-14	M14×1.5	M14×1.5	8	8	14	29	12	17	
1C9-16	M16×1.5	M16×1.5	10	10	15	30	14	19	
1C9-18	M18×1.5	M18×1.5	12	12	17	32	17	22	
1C9-22	M22×1.5	M22×1.5	15	15	21	36	19	27	
1C9-26	M26×1.5	M26×1.5	18	18	23.5	40	24	32	
1C9-30	M30×2	M30×2	22	22	27.5	44	27	36	16 wersja lekka L
1C9-36	M36×2	M36×2	28	28	30.5	47	36	41	
1C9-45	M45×2	M45×2	35	35	34.5	56	41	50	
1C9-52	M52×2	M52×2	42	42	40	63	50	60	
1D9-14	M14×1.5	M14×1.5	6	6	16	31	12	17	63 wersja ciężka S
1D9-16	M16×1.5	M16×1.5	8	8	17	32	14	19	
1D9-18	M18×1.5	M18×1.5	10	10	17.5	34	17	22	
1D9-20	M20×1.5	M20×1.5	12	12	21.5	38	17	24	
1D9-22	M22×1.5	M22×1.5	14	14	22	40	19	27	
1D9-24	M24×1.5	M24×1.5	16	16	24.5	43	24	30	40 wersja ciężka S
1D9-30	M30×2	M30×2	20	20	26.5	48	27	36	
1D9-36	M36×2	M36×2	25	25	30	54	36	46	
1D9-42	M42×2	M42×2	30	30	35.5	62	41	50	
1D9-52	M52×2	M52×2	38	38	41	72	50	60	31.5 wersja ciężka S


1CH9-OG
1DH9-OG

1CH9-OG/RN
1DH9-OG/RN
90° PRZYŁĄCZKA KOLANKOWA
ADJUSTABLE STUD ENDS ISO 6149

SYMBOL PART NO.	GWINT / THREAD		RURKA / D1	O RING	WYMIARY / DIMENSIONS						CIŚNIENIE MPa
	E	F	TUBE O.D.		I1	L1	L2	S1	S2	S3	
1CH9-12-10OG	M12×1.5	M10×1	6	O08.1×1.6	13	28	26.5	11	14	14	31.5 wersja lekka L
1CH9-14-12OG	M14×1.5	M12×1.5	8	O09.3×2.4	15.5	30.5	32	14	17	17	
1CH9-16-14OG	M16×1.5	M14×1.5	10	O11.3×2.4	17.5	32.5	34	16	19	19	
1CH9-18-16OG	M18×1.5	M16×1.5	12	O13.3×2.4	19	34	36	19	22	22	
1CH9-22-18OG	M22×1.5	M18×1.5	15	O15.3×2.4	22	37	39.5	22	27	24	
1CH9-26-22OG	M26×1.5	M22×1.5	18	O19.3×2.4	25.5	42	43.5	27	32	27	
1CH9-30-27OG	M30×2	M27×2	22	O23.5×3.0	29.3	45.8	50	30	36	32	16 wersja lekka L
1CH9-36-33OG	M36×2	M33×2	28	O29.5×3.0	33.3	49.8	54	36	41	41	
1DH9-14-12OG	M14×1.5	M12×1.5	6	O09.3×2.4	17.5	32.5	32	14	17	17	63 wersja ciężka S
1DH9-16-14OG	M16×1.5	M14×1.5	8	O11.3×2.4	18.7	33.7	34	16	19	19	
1DH9-18-16OG	M18×1.5	M16×1.5	10	O13.3×2.4	19.5	36	36	19	22	22	
1DH9-20-18OG	M20×1.5	M18×1.5	12	O15.3×2.4	19.5	36	37	19	24	24	
1DH9-22-20OG	M22×1.5	M20×1.5	14	O17.3×2.4	23	41	40	22	27	27	
1DH9-24-22OG	M24×1.5	M22×1.5	16	O19.3×2.4	24	42	37.5	24	30	27	
1DH9-30-27OG	M30×2	M27×2	20	O23.5×3.0	28.3	49.8	50	30	36	32	40 wersja ciężka S
1DH9-36-33OG	M36×2	M33×2	25	O29.5×3.0	32.8	56.8	54	36	46	41	
1DH9-42OG	M42×2	M42×2	30	O38.5×3.0	36.2	62.7	57.2	41	50	50	

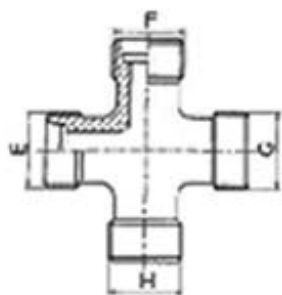
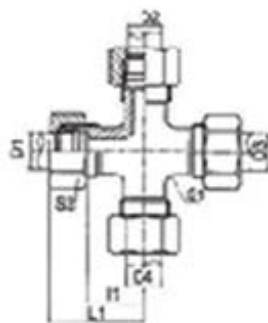

1CG9-OG
1DG9-OG

1CG9-OG/RN
1DG9-OG/RN
PRZYŁĄCZKA KOLANKOWA 90°
90° ELBOW BSP THREAD ADJUSTABLE

SYMBOL PART NO.	GWINT / THREAD		RURKA / TUBE O.D. D1	WYMIARY / DIMENSIONS						CIŚNIENIE MPa
	E	F		l1	L1	L2	S1	S2	S3	
1CG9-12-02OG	M12×1.5	G1/8"×28	6	13	28	26.2	11	14	14	31.5 wersja lekka L
1CG9-14-04OG	M14×1.5	G1/4"×19	8	15.5	30.5	31.3	14	17	19	
1CG9-16-04OG	M16×1.5	G1/4"×19	10	17.5	32.5	32.5	16	19	19	
1CG9-16-06OG	M16×1.5	G3/8"×19	10	17.5	32.5	35.8	16	19	22	
1CG9-18-06OG	M18×1.5	G3/8"×19	12	19	34	36.8	19	22	22	
1CG9-22-08OG	M22×1.5	G1/2"×14	15	22	37	43.2	22	27	27	
1CG9-26-08OG	M26×1.5	G1/2"×14	18	25.5	42	46	27	32	27	
1CG9-26-12OG	M26×1.5	G3/4"×14	18	25.5	42	49.3	27	32	32	
1CG9-30-12OG	M30×2	G3/4"×14	22	29.3	45.8	52	30	36	32	
1CG9-30-16OG	M30×2	G1"×11	22	31.5	48	53	33	36	41	
1CG9-36-16OG	M36×2	G1"×11	28	33	49.8	56	36	41	41	
1CG9-36-20OG	M36×2	G1.1/4"×11	28	36	52.8	59	41	41	50	
1CG9-45-20OG	M45×2	G1.1/4"×11	35	39.2	60.7	63	48	50	50	
1CG9-52-24OG	M52×2	G1.1/2"×11	42	44.8	67.8	68.5	55	60	55	63 wersja ciężka S
1DG9-14-04OG	M14×1.5	G1/4"×19	6	17.5	32.5	31.3	14	17	19	
1DG9-16-04OG	M16×1.5	G1/4"×19	8	18.7	33.7	32.5	16	19	19	
1DG9-16-06OG	M16×1.5	G3/8"×19	8	18.7	33.7	35.8	16	19	22	
1DG9-18-06OG	M18×1.5	G3/8"×19	10	19.5	36	36.8	19	22	22	
1DG9-20-06OG	M20×1.5	G3/8"×19	12	19.5	36	36.8	19	24	22	
1DG9-22-08OG	M22×1.5	G1/2"×14	14	23	41	43.2	22	27	27	
1DG9-24-08OG	M24×1.5	G1/2"×14	16	24	42.5	43	24	30	27	
1DG9-30-12OG	M30×2	G3/4"×14	20	28	49.5	52	30	36	32	
1DG9-36-16OG	M36×2	G1"×11	25	32.8	56.8	56	36	46	41	
1DG9-42-20OG	M42×2	G1.1/4"×11	30	36.2	62.7	58	41	50	50	
1DG9-52-24OG	M52×2	G1.1/2"×11	38	45.8	76.8	68.5	55	60	55	31.5 wersja ciężka S


2C9
2D9
2C9-RN
2D9-RN

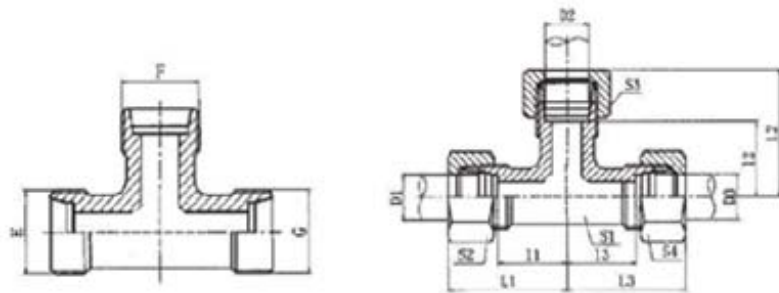
KOLANKO AB
90° ELBOW REDUCER TUBE
ADAPTOR WITH SWIVEL NUT

SYMBOL PART NO.	GWINT / THREAD		RURKA / TUBE O.D.		WYMIARY / DIMENSIONS						CIŚNIENIE MPa
	E	F	D1	D2	I1	L1	L2	S1	S2	S3	
2C9-12	M12×1.5	M12×1.5	6	6	12	27	26	12	14	14	25 wersja lekka L
2C9-14	M14×1.5	M14×1.5	8	8	14	29	27.5	12	17	17	
2C9-16	M16×1.5	M16×1.5	10	10	15	30	29	14	19	19	
2C9-18	M18×1.5	M18×1.5	12	12	17	32	29.5	17	22	22	
2C9-22	M22×1.5	M22×1.5	15	15	21	36	32.5	19	27	27	
2C9-26	M26×1.5	M26×1.5	18	18	23.5	40	35.5	24	32	32	
2C9-30	M30×2	M30×2	22	22	27.5	44	38.5	27	36	36	16 wersja lekka L
2C9-36	M36×2	M36×2	28	28	30.5	47	41.5	36	41	41	
2C9-45	M45×2	M45×2	35	35	34.5	56	51	41	50	50	
2C9-52	M52×2	M52×2	42	42	40	63	56	50	60	60	
2D9-14	M14×1.5	M14×1.5	6	6	16	31	27	12	17	17	63 wersja ciężka S
2D9-16	M16×1.5	M16×1.5	8	8	17	32	27.5	14	19	19	
2D9-18	M18×1.5	M18×1.5	10	10	17.5	34	30	17	22	22	
2D9-20	M20×1.5	M20×1.5	12	12	21.5	38	31	17	24	24	
2D9-22	M22×1.5	M22×1.5	14	14	22	40	35	19	27	27	
2D9-24	M24×1.5	M24×1.5	16	16	24.5	43	36.5	24	30	30	40 wersja ciężka S
2D9-30	M30×2	M30×2	20	20	26.5	48	44.5	27	36	36	
2D9-36	M36×2	M36×2	25	25	30	54	50	36	46	46	
2D9-42	M42×2	M42×2	30	30	35.5	62	55	41	50	50	
2D9-52	M52×2	M52×2	38	38	41	72	63	50	60	60	31.5 wersja ciężka S


XC
XD

XC-RN
XD-RN
CZWÓRNIK
CROSS FITTINGS

KORPUS ZŁĄCZKI CZWÓRNIKOWEJ (PN-65/M-73149)

SYMBOL PART NO.	GWINT / THREAD	RURKA / TUBE O.D.	WYMIARY / DIMENSIONS				CIŚNIENIE MPa
	E,F,G,H	D1,D2,D3,D4	I1	L1	S1	S2	
XC-12	M12×1.5	6	12	27	12	14	31.5 wersja lekka L
XC-14	M14×1.5	8	14	29	12	17	
XC-16	M16×1.5	10	15	30	14	19	
XC-18	M18×1.5	12	17	32	17	22	
XC-22	M22×1.5	15	21	36	19	27	
XC-26	M26×1.5	18	23.5	40	24	32	
XC-30	M30×2	22	27.5	44	27	36	16 wersja lekka L
XC-36	M36×2	28	30.5	47	36	41	
XC-45	M45×2	35	34.5	56	41	50	
XC-52	M52×2	42	40	63	50	60	
XD-14	M14×1.5	6	16	31	12	17	63 wersja ciężka S
XD-16	M16×1.5	8	17	32	14	19	
XD-18	M18×1.5	10	17.5	34	17	22	
XD-20	M20×1.5	12	21.5	38	17	24	
XD-22	M22×1.5	14	22	40	19	27	
XD-24	M24×1.5	16	24.5	43	24	30	40 wersja ciężka S
XD-30	M30×2	20	26.5	48	27	36	
XD-36	M36×2	25	30	54	36	46	
XD-42	M42×2	30	35.5	62	41	50	
XD-52	M52×2	38	41	72	50	60	31.5 wersja ciężka S



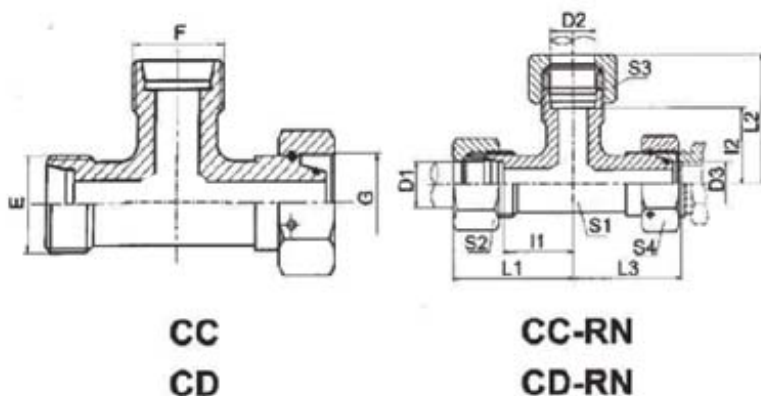
AC
AD

AC-RN
AD-RN

TRÓJNIK BBB
EQUAL TEES

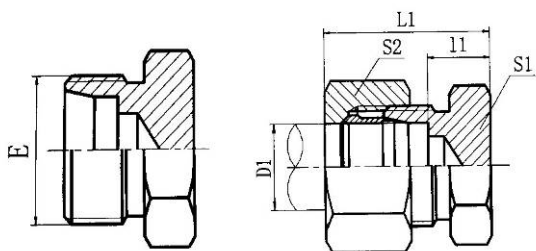
KORPUS ZŁĄCZKI TRÓJNIKOWEJ(PN-65/M-73147)

SYMBOL PART NO.	GWINT / THREAD	RURKA / TUBE O.D.	WYMIARY / DIMENSIONS				CIŚNIENIE MPa
	E,F,G	D1,D2,D3	I1,I2,I3	L1,L2,L3	S1	S2,S3,S4	
AC-08	M8×1	4	11	21	9	10	10 wersja lekka LL
AC-10	M10×1	5	9.5	21	9	12	
AC-10LL	M10×1	6	9.5	21	9	12	
AC-12LL	M12×1	8	11.5	23	12	14	25 wersja lekka L
AC-12	M12×1.5	6	12	27	12	14	
AC-14	M14×1.5	8	14	29	12	17	
AC-16	M16×1.5	10	15	30	14	19	
AC-18	M18×1.5	12	17	32	17	22	
AC-22	M22×1.5	15	21	36	19	27	
AC-26	M26×1.5	18	23.5	40	24	32	16 wersja lekka L
AC-30	M30×2	22	27.5	44	27	36	
AC-36	M36×2	28	30.5	47	36	41	
AC-45	M45×2	35	34.5	56	41	50	
AC-52	M52×2	42	40	63	50	60	
AD-14	M14×1.5	6	16	31	12	17	63 wersja ciężka S
AD-16	M16×1.5	8	17	32	14	19	
AD-18	M18×1.5	10	17.5	34	17	22	
AD-20	M20×1.5	12	21.5	38	17	24	
AD-22	M22×1.5	14	22	40	19	27	
AD-24	M24×1.5	16	24.5	43	24	30	40 wersja ciężka S
AD-30	M30×2	20	26.5	48	27	36	
AD-36	M36×2	25	30	54	36	46	
AD-42	M42×2	30	35.5	62	41	50	
AD-52	M52×2	38	41	72	50	60	31.5 wersja ciężka S



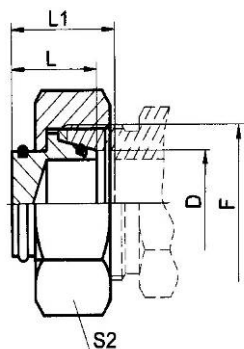
TRÓJNIK BBA
RUN TEE FITTINGS
WITH SWIVEL NUT

SYMBOL PART NO.	GWINT / THREAD		RURKA / TUBE O.D.		WYMIARY / DIMENSIONS						CIŚNIENIE MPa
	E,F	G	D1,D2	D3	l1,l2	L1,L2	L3	S1	S2,S3	S4	
CC-12	M12×1.5	M12×1.5	6	6	12	27	26	12	14	14	31.5 wersja lekka L
CC-14	M14×1.5	M14×1.5	8	8	14	29	27.5	12	17	17	
CC-16	M16×1.5	M16×1.5	10	10	15	30	29	14	19	19	
CC-18	M18×1.5	M18×1.5	12	12	17	32	29.5	17	22	22	
CC-22	M22×1.5	M22×1.5	15	15	21	36	32.5	19	27	27	
CC-26	M26×1.5	M26×1.5	18	18	23.5	40	35.5	24	32	32	
CC-30	M30×2	M30×2	22	22	27.5	44	38.5	27	36	36	16 wersja lekka L
CC-36	M36×2	M36×2	28	28	30.5	47	41.5	36	41	41	
CC-45	M45×2	M45×2	35	35	34.5	56	51	41	50	50	
CC-52	M52×2	M52×2	42	42	40	63	56	50	60	60	
CD-14	M14×1.5	M14×1.5	6	6	16	31	27	12	17	17	63 wersja ciężka S
CD-16	M16×1.5	M16×1.5	8	8	17	32	27.8	14	19	19	
CD-18	M18×1.5	M18×1.5	10	10	17.5	34	30	17	22	22	
CD-20	M20×1.5	M20×1.5	12	12	21.5	38	31	17	24	24	
CD-22	M22×1.5	M22×1.5	14	14	22	40	35	19	27	27	
CD-24	M24×1.5	M24×1.5	16	16	24.5	43	36.5	24	30	30	40 wersja ciężka S
CD-30	M30×2	M30×2	20	20	26.5	48	44.5	27	36	36	
CD-36	M36×2	M36×2	25	25	30	54	50	36	46	46	
CD-42	M42×2	M42×2	30	30	35.5	62	55	41	50	50	
CD-52	M52×2	M52×2	38	38	41	72	63	50	60	60	31.5 wersja ciężka S

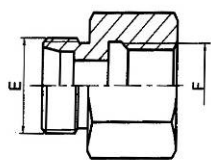
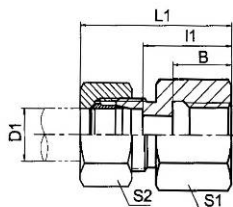
**4C****4C-RN****4D****4D-RN**
KOREK CEL – korek zaślepiający
(KOREK ZAŚLEPIAJĄCY Z GNIAZDEM)
PLUG

OZNACZENIE ALTERNATYWNE XROV

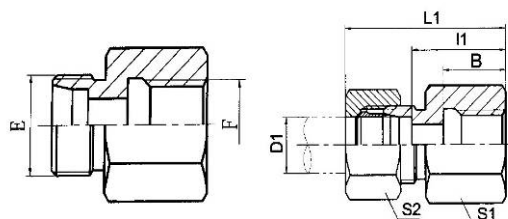
SYMBOL PART NO.	GWINT / THREAD	RURKA / TUBE O.D.	WYMIARY / DIMENSIONS				CIŚNIENIE MPa
	E	D1	l1	L1	S1	S2	
4C-12	M12×1.5	6	7	22	12	14	31.5 wersja lekka L
4C-14	M14×1.5	8	8	23	14	17	
4C-16	M16×1.5	10	9	24	17	19	
4C-18	M18×1.5	12	10	25	19	22	
4C-22	M22×1.5	15	11	26	24	27	
4C-26	M26×1.5	18	11.5	28	27	32	
4C-30	M30×2	22	13.5	30	32	36	16 wersja lekka L
4C-36	M36×2	28	14.5	31	41	41	
4C-45	M45×2	35	14.5	36	46	50	
4C-52	M52×2	42	16	39	55	60	
4D-14	M14×1.5	6	11	26	14	17	63 wersja ciężka S
4D-16	M16×1.5	8	13	28	17	19	
4D-18	M18×1.5	10	12.5	29	19	22	
4D-20	M20×1.5	12	14.5	31	22	24	
4D-22	M22×1.5	14	16	34	24	27	
4D-24	M24×1.5	16	15.5	34	27	30	40 wersja ciężka S
4D-30	M30×2	20	17.5	39	32	36	
4D-36	M36×2	25	20	44	38	46	
4D-42	M42×2	30	20.5	47	46	50	
4D-52	M52×2	38	23	54	55	60	31.5 wersja ciężka S


ZASŁEPKA VKA – korek ze stożkiem + nakrętka
FEMALE PLUG
9C
9D

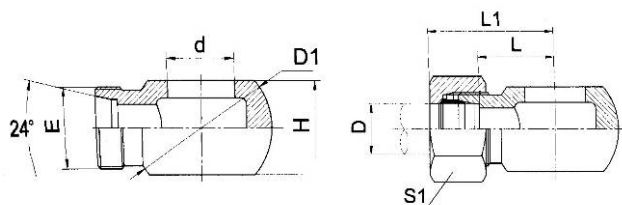
SYMBOL PART NO.	GWINT / THREAD		RURKA / TUBE O.D.		WYMIARY / DIMENSIONS				CIŚNIENIE MPa
		F	D		L	L1	S2		
9C-12		M12×1.5	6		15.5	17.5	14		31.5 wersja lekka L
9C-14		M14×1.5	8		15.5	18	17		
9C-16		M16×1.5	10		16.5	18	19		
9C-18		M18×1.5	12		18	19.5	22		
9C-22		M22×1.5	15		19.5	20	27		
9C-26		M26×1.5	18		20	22	32		
9C-30		M30×2	22		21.5	22.5	36		16 wersja lekka L
9C-36		M36×2	28		22.5	24.5	41		
9C-45		M45×2	35		25	29	55		
9C-52		M52×2	42		27	31.5	60		
9D-14		M14×1.5	6		16	18	17		63 wersja ciężka S
9D-16		M16×1.5	8		16.5	18.5	19		
9D-18		M18×1.5	10		18	20	22		
9D-20		M20×1.5	12		18.5	20.5	24		
9D-22		M22×1.5	14		19	21.5	27		
9D-24		M24×1.5	16		18.5	21.5	30		40 wersja ciężka S
9D-30		M30×2	20		22.5	25	36		
9D-36		M36×2	25		23.5	28.5	46		
9D-42		M42×2	30		25.5	32	50		
9D-52		M52×2	38		26.5	36	60		31.5 wersja ciężka S


5CB
5DB

5CB-RN
5DB-RN
TULEJA RÓŻNICOWA
BSP FEMALE

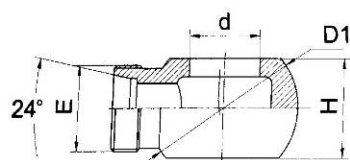
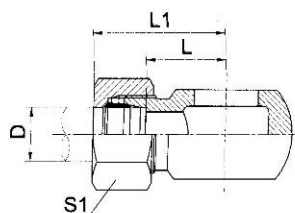
SYMBOL PART NO.	GWINT / THREAD		RURKA / TUBE O.D.	WYMIARY / DIMENSIONS					CIŚNIENIE MPa
	E	F		D1	B	I1	L1	S1	
5CB-12-02	M12×1.5	G1/8"×28	6	12	19	34	14	14	31.5 wersja lekka L
5CB-12-04	M12×1.5	G1/4"×19	6	16	23	36	19	17	
5CB-14-04	M14×1.5	G1/4"×19	8	17	24	39	19	17	
5CB-14-06	M14×1.5	G3/8"×19	8	17	25	40	24	17	
5CB-14-08	M14×1.5	G1/2"×14	8	20	29	44	27	17	
5CB-16-04	M16×1.5	G1/4"×19	10	17	25	40	19	19	
5CB-16-06	M16×1.5	G3/8"×19	10	17	26	41	24	19	
5CB-16-08	M16×1.5	G1/2"×14	10	20	30	45	27	19	
5CB-18-04	M18×1.5	G1/4"×19	12	17	23	38	19	22	
5CB-18-06	M18×1.5	G3/8"×19	12	17	26	41	24	22	
5CB-18-08	M18×1.5	G1/2"×14	12	20	30	45	27	22	
5CB-22-06	M22×1.5	G3/8"×19	15	17	28	43	24	27	
5CB-22-08	M22×1.5	G1/2"×14	15	20	31	46	27	27	
5CB-26-08	M26×1.5	G1/2"×14	18	20	30.5	47	27	32	
5CB-30-12	M30×2	G3/4"×14	22	22	35.5	52	36	36	16 wersja lekka L
5CB-36-16	M36×2	G1"×11	28	24.5	38	55	41	41	
5CB-45-20	M45×2	G1.1/4"×11	35	26.5	41	63	55	50	
5CB-52-24	M52×2	G1.1/2"×11	42	28.5	42.5	65	60	60	
5DB-14-04	M14×1.5	G1/4"×19	6	17	26	41	19	17	63 wersja ciężka S
5DB-16-04	M16×1.5	G1/4"×19	8	17	26	41	19	19	
5DB-18-06	M18×1.5	G3/8"×19	10	17	26.5	43	24	22	
5DB-20-06	M20×1.5	G3/8"×19	12	17	27.5	28	24	24	
5DB-20-08	M20×1.5	G1/2"×14	12	20	30.5	31	24	24	
5DB-22-08	M22×1.5	G1/2"×14	14	20	32	50	30	27	
5DB-24-08	M24×1.5	G1/2"×14	16	20	31.5	50	30	30	40 wersja ciężka S
5DB-30-12	M30×2	G3/4"×14	20	22	34.5	56	36	36	
5DB-36-16	M36×2	G1"×11	25	24.5	37.5	62	41	46	
5DB-42-20	M42×2	G1.1/4"×11	30	26.5	42	69	55	50	
5DB-52-24	M52×2	G1.1/2"×11	38	28.5	43.5	74	60	60	31.5 wersja lekka S


5CM
5DM
5CM-RN
5DM-RN
TULEJA RÓŻNICOWA METRYCZNA
METRIC FEMALE

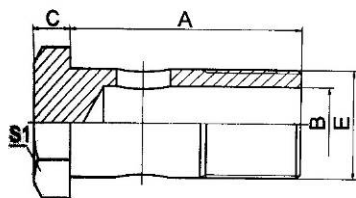
SYMBOL PART NO.	GWINT / THREAD		RURKA / TUBE O.D.	WYMIARY / DIMENSIONS					CIŚNIENIE MPa
	E	F		D1	B	I1	L1	S1	
5CM-12-10	M12×1.5	M10×1	6	12.5	19.5	34	14	14	25 wersja lekka L
5CM-14-12	M14×1.5	M12×1.5	8	17	24	39	17	17	
5CM-16-14	M16×1.5	M14×1.5	10	17	25	40	19	19	
5CM-18-16	M18×1.5	M16×1.5	12	17	26	41	22	22	
5CM-22-18	M22×1.5	M18×1.5	15	17	28	43	24	27	
5CM-26-22	M26×1.5	M22×1.5	18	19	29.5	46	30	32	
5CM-30-26	M30×2	M26×1.5	22	21	34.5	51	32	36	16 wersja lekka L
5CM-36-33	M36×2	M33×2	28	24	37.5	54	41	41	
5CM-45-42	M45×2	M42×2	35	26	40.5	62	55	50	
5CM-52-48	M52×2	M48×2	42	28	42	65	60	60	
5DM-14-12	M14×1.5	M12×1.5	6	17	26	41	17	17	63 wersja ciężka S
5DM-16-14	M16×1.5	M14×1.5	8	17	26	41	19	19	
5DM-18-16	M18×1.5	M16×1.5	10	17	26.5	43	22	22	
5DM-20-18	M20×1.5	M18×1.5	12	17	27.5	44	24	24	
5DM-22-20	M22×1.5	M20×1.5	14	19	31	49	27	27	
5DM-24-22	M24×1.5	M22×1.5	16	19	30.5	49	30	30	40 wersja ciężka S
5DM-30-27	M30×2	M27×2	20	22	34.5	56	36	36	
5DM-36-33	M36×2	M33×2	25	24	37	61	41	46	
5DM-42	M42×2	M42×2	30	26	41.5	68	55	50	
5DM-52-48	M52×2	M48×2	38	28	43	74	60	60	31.5 wersja lekkaS


1CI-B
1DI-B
1CI-B/RN
1DI-B/RN
KOŃCÓWKA OCZKOWA Z GWINTEM
BSP BANJO

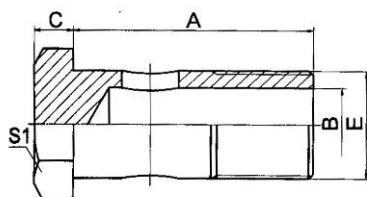
SYMBOL PART NO.	GWINT / THREAD	RURKA / D	ŚRUBA	WYMIARY / DIMENSIONS						CIŚNIENIE MPa
	E	TUBE O.D.	BOLT	D1	d	H	L	L1	S1	
1CI-12-B02	M12×1.5	6	720B-02	24	9.9	16	15	30	14	16 wersja lekka L
1CI-14-B04	M14×1.5	8	720B-04	24	13.3	15	16	31	17	
1CI-16-B04	M16×1.5	10	720B-04	24	13.3	15	18	33	19	
1CI-18-B06	M18×1.5	12	720B-06	29	16.7	20	22	37	22	10 wersja lekka L
1CI-22-B08	M22×1.5	15	720B-08	38	21	25	26	41	27	
1CI-26-B08	M26×1.5	18	720B-08	38	21	25	27	42	32	
1CI-30-B12	M30×2	22	720B-12	48	26.5	26.5	31	47	36	16 wersja ciężkaS
1DI-14-B04	M14×1.5	6	720B-04	24	13.3	15	17.5	32	17	
1DI-16-B04	M16×1.5	8	720B-04	24	13.3	15	19	34	19	
1DI-18-B06	M18×1.5	10	720B-06	29	16.7	20	23	38	22	10 wersja ciężka S
1DI-20-B06	M20×1.5	12	720B-06	29	16.7	20	24	39	24	
1DI-22-B08	M22×1.5	14	720B-08	38	21	25	27	42	27	
1DI-24-B08	M24×1.5	16	720B-08	38	21	25	28	43	30	
1DI-30-B12	M30×2	20	720B-12	48	31	26.5	32	49	36	


1CI
1DI

1CI-RN
1DI-RN
KOŃCÓWKA OCZKOWA Z GWINTEM
DIN 7642
METRIC BANJO DIN 7642

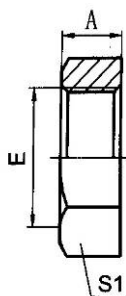
SYMBOL PART NO.	GWINT / THREAD	RURKA / D TUBE O.D.	ŚRUBA BOLT	WYMIARY / DIMENSIONS						CIŚNIENIE MPa
	E			D1	d	H	L	L1	S1	
1CI-12-10	M12×1.5	6	700M-10	17	10	10	16	31	14	16
1CI-14-12	M14×1.5	8	700M-12	20	12	12	18.5	33	17	wersja lekka
1CI-16-14	M16×1.5	10	700M-14	24	14	14	20.5	35	19	L
1CI-18-16	M18×1.5	12	700M-16	28	16	16	22	37	22	10
1CI-22-18	M22×1.5	15	700M-18	32	18	20	23	38	27	wersja lekka
1CI-26-22	M26×1.5	18	700M-22	39	22	25	27.5	43.5	32	L
1CI-30-26	M30×2	22	700M-26	46	26	30	34	50.5	36	
1DI-14-12	M14×1.5	6	700M-12	20	12	12	20.5	35	17	16
1DI-16-14	M16×1.5	8	700M-14	24	14	14	22.5	36	19	wersja ciężkaS
1DI-18-16	M18×1.5	10	700M-16	28	16	16	23	39.5	22	
1DI-20-18	M20×1.5	12	700M-18	32	20	20	25	41	24	10
1DI-22-18	M22×1.5	14	700M-18	32	20	20	28	46	27	wersja ciężka
1DI-24-22	M24×1.5	16	700M-22	39	25	25	28.5	46.5	30	S
1DI-30-26	M30×2	20	700M-26	46	30	30	37	58.5	36	

**ŚRUBA OCZKOWA BSP****720B BSP BOLT**

SYMBOL PART NO.	GWINT THREAD E	WYMIARY / DIMENSIONS			
		A	B	C	S1
720B-02	G1/8"×28	29.5	4.8	4.8	14
720B-04	G1/4"×19	28.5	6	6	19
720B-06	G3/8"×19	38.5	9	7	22
720B-08	G1/2"×14	44	13	8.5	27
720B-10	G5/8"×14	48.5	15	10	30
720B-12	G3/4"×14	56	18	10	32
720B-16	G1"×11	68.5	22	13	41

**ŚRUBA OCZKOWA METRYCZNA****METRIC BOLT DIN 7643**

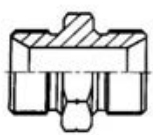
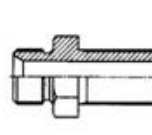
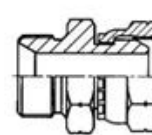
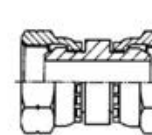
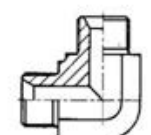
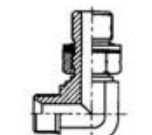
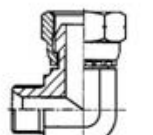

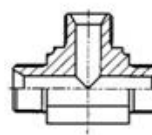
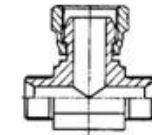
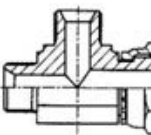
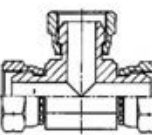
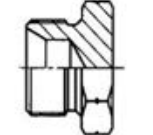
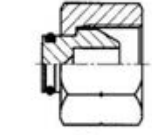

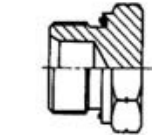
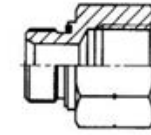
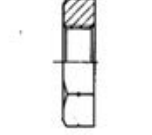
SYMBOL PART NO.	GWINT THREAD E	WYMIARY / DIMENSIONS			
		A	B	C	S1
700M-10	M10×1	19	5	6	14
700M-12	M12×1.5	24	6	6	17
700M-14	M14×1.5	26	8	7	19
700M-16	M16×1.5	28	9	7.5	22
700M-18	M18×1.5	32	11	8	24
700M-22	M22×1.5	39	14	9	27
700M-26	M26×1.5	45	18	10	32
700M-30	M30×1.5	51	22	11	38

**8C**
PRZECIWNĄKRĘTKA METRYCZNA
METRIC LOCK NUT

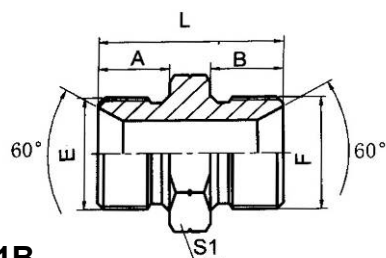
SYMBOL PART NO.	GWINT / THREAD	WYMIARY / DIMENSIONS	
	E	A	S1
8C-10	M10×1	6	14
8C-12	M12×1.5	7.5	17
8C-14	M14×1.5	7.5	19
8C-16	M16×1.5	7.5	22
8C-18	M18×1.5	7.5	24
8C-20	M20×1.5	8	27
8C-22	M22×1.5	8	27
8C-24	M24×1.5	8	30
8C-26	M26×1.5	8	32
8C-27D	M27×1.5	10	32
8C-27	M27×2	10	32
8C-30	M30×2	10	36
8C-30D	M30×1.5	10	36
8C-33	M33×2	10	41
8C-36	M36×2	10	41
8C-39	M39×2	10	46
8C-42	M42×2	10	50
8C-45	M45×2	10	55
8C-52	M52×2	10	60

ZŁĄCZKI Z GWINTAMI CALOWYMI BSP

BSP ADAPTORS (60° SEAT OR BONDED SEAL)

 1B 34	 6B 35	 2B 36	 3B 37	 1B9 38	 1B9-OG 39
 2B9 40	 3B9 41	 AB 42	 BB 43	 CB 43	 DB 44
 4B 45	 9B 45	 4BN-WD 46	 4B-WD 46	 5B-WD 47	 8B 48

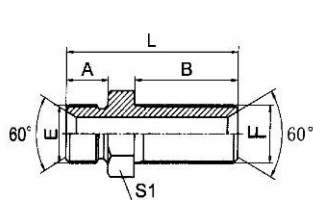
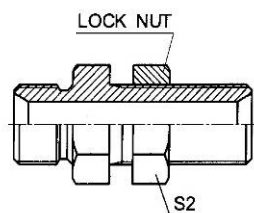
- 34 Złączka prosta
- 35 Złączka grodziowa
- 36 Złączka AB
- 37 Złączka AA
- 38 Kolanko BB
- 39 Przyłączka kolankowa
- 40 Kolanko AB
- 41 Kolanko AA
- 42 Trójnik BBB
- 43 Trójnik BAB
- 43 Trójnik BBA
- 44 Trójnik BAB
- 45 Korek AGR zaślepiający
- 45 Korek DKR zaślepiający
- 46 Korek na imbus
- 46 Korek sześciokątny
- 47 Tuleja różnicowa
- 48 Przeciwnakrętka

**1B**

ZŁĄCZKI PROSTE CALOWE

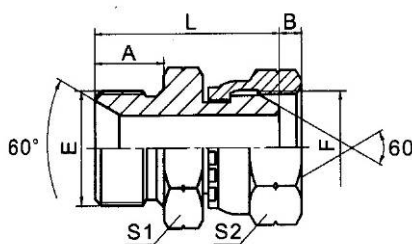
1B - BSP MALE DOUBLE USE FOR 60°
SEAT OR BONDED SEAL

SYMBOL PART NO.	GWINT / THREAD		WYMIARY / DIMENSIONS			
	E	F	A	B	L	S1
1B-02	G1/8"×28	G1/8"×28	10	10	26	14
1B-02-04	G1/8"×28	G1/4"×19	10	12	28	19
1B-02-06	G1/8"×28	G3/8"×19	10	13.5	31.5	22
1B-02-08	G1/8"×28	G1/2"×14	10	16	36	27
1B-04	G1/4"×19	G1/4"×19	12	12	30	19
1B-04-06	G1/4"×19	G3/8"×19	12	13.5	33.5	22
1B-04-08	G1/4"×19	G1/2"×14	12	16	38	27
1B-04-10	G1/4"×19	G5/8"×14	12	17.5	39.5	30
1B-06	G3/8"×19	G3/8"×19	13.5	13.5	33	22
1B-06-08	G3/8"×19	G1/2"×14	13.5	16	39.5	27
1B-06-10	G3/8"×19	G5/8"×14	13.5	17.5	42	30
1B-06-12	G3/8"×19	G3/4"×14	13.5	18.5	43	32
1B-08	G1/2"×14	G1/2"×14	16	16	42	27
1B-08-10	G1/2"×14	G5/8"×14	16	17.5	43.5	30
1B-08-12	G1/2"×14	G3/4"×14	16	18.5	45.5	32
1B-10	G5/8"×14	G5/8"×14	17.5	17.5	45	30
1B-10-12	G5/8"×14	G3/4"×14	17.5	18.5	47	32
1B-10-16	G5/8"×14	G1"×11	17.5	20.5	51.5	41
1B-12	G3/4"×14	G3/4"×14	18.5	18.5	48	32
1B-12-16	G3/4"×14	G1"×11	18.5	20.5	52.5	41
1B-12-20	G3/4"×14	G1.1/4"×11	18.5	20.5	56	50
1B-16	G1"×11	G1"×11	20.5	20.5	54	41
1B-16-20	G1"×11	G1.1/4"×11	20.5	20.5	58	50
1B-16-24	G1"×11	G1.1/2"×11	20.5	23	60.5	55
1B-20	G1.1/4"×11	G1.1/4"×11	20.5	20.5	58	50
1B-20-24	G1.1/4"×11	G1.1/2"×11	20.5	23	60.5	55
1B-24	G1.1/2"×11	G1.1/2"×11	23	23	63	55
1B-24-32	G1.1/2"×11	G2"×11	23	25.5	66.5	70
1B-32	G2"×11	G2"×11	25.5	25.5	68	70
1B-40	G2.1/2"×11	G2.1/2"×11	32	32	81	90
1B-48	G3"×11	G3"×11	36	36	91	100

**6B****6B-LN****ZŁĄCZKA GRODZIOWA BSP**

BSP MALE 60° SEAT BULKHEAD

SYMBOL PART NO.	GWINT / THREAD		WYMIARY / DIMENSIONS				
	E	F	A	B	L	S1	S2
6B-02	G1/8"×28	G1/8"×28	10	33	49	14	14
6B-04	G1/4"×19	G1/4"×19	12	35	53	19	19
6B-06	G3/8"×19	G3/8"×19	13.5	35	56.5	22	22
6B-08	G1/2"×14	G1/2"×14	16	39	65	27	27
6B-10	G5/8"×14	G5/8"×14	17.5	40	67.5	30	30
6B-12	G3/4"×14	G3/4"×14	18.5	42	71.5	32	32
6B-16	G1"×11	G1"×11	20.5	50	84	41	41
6B-20	G1.1/4"×11	G1.1/4"×11	20.5	52	89.5	50	50
6B-24	G1.1/2"×11	G1.1/2"×11	23	55	93	55	55
6B-32	G2"×11	G2"×11	25.5	55	98.5	70	70

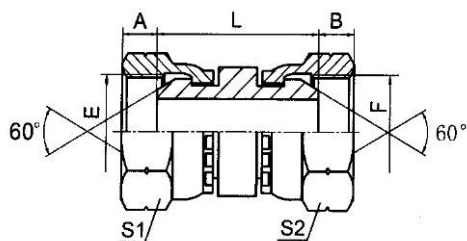


ZŁĄCZKA AB BSP

2B - BSP MALE DOUBLE USE FOR 60° SEAT OR BONDED SEAL / BSP FEMALE 60° CONE

2B

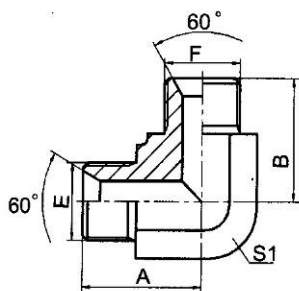
SYMBOL PART NO.	GWINT / THREAD		WYMIARY / DIMENSIONS				
	E GWINT ZEW.	F NAKRĘTKA	A	B	L	S1	S2
2B-02	G1/8"×28	G1/8"×28	10	5.5	25	14	14
2B-02-04	G1/8"×28	G1/4"×19	10	5.5	27	14	19
2B-04	G1/4"×19	G1/4"×19	12	5.5	29	19	19
2B-04-06	G1/4"×19	G3/8"×19	12	6.3	30.5	19	22
2B-04-08	G1/4"×19	G1/2"×14	12	7.5	32	19	27
2B-06	G3/8"×19	G3/8"×19	13.5	6.3	34	22	22
2B-06-08	G3/8"×19	G1/2"×14	13.5	7.5	35.5	22	27
2B-06-10	G3/8"×19	G5/8"×14	13.5	9.5	36	22	30
2B-08	G1/2"×14	G1/2"×14	16	7.5	40	27	27
2B-08-06	G1/2"×14	G3/8"×19	16	6.3	38.5	27	22
2B-08-12	G1/2"×14	G3/4"×14	16	10.9	41	27	32
2B-10	G5/8"×14	G5/8"×14	17.5	9.5	42	30	30
2B-10-08	G5/8"×14	G1/2"×14	17.5	7.5	41.5	30	27
2B-10-12	G5/8"×14	G3/4"×14	17.5	10.9	42.5	30	32
2B-12	G3/4"×14	G3/4"×14	18.5	10.9	44.5	32	32
2B-12-10	G3/4"×14	G5/8"×14	18.5	9.5	44	32	30
2B-12-16	G3/4"×14	G1"×11	18.5	11.7	46	32	41
2B-16	G1"×11	G1"×11	20.5	11.7	50	41	41
2B-16-12	G1"×11	G3/4"×14	20.5	10.9	49	41	32
2B-16-20	G1"×11	G1.1/4"×11	20.5	11	53	41	50
2B-20	G1.1/4"×11	G1.1/4"×11	20.5	11	55	50	50
2B-20-16	G1.1/4"×11	G1"×11	20.5	11.7	52	50	41
2B-20-24	G1.1/4"×11	G1.1/2"×11	20.5	13	55.5	50	55
2B-24	G1.1/2"×11	G1.1/2"×11	23	13	58	55	55
2B-32	G2"×11	G2"×11	25.5	16	63.5	70	70



ZŁĄCZKA AA BSP

3B - BSP FEMALE 60° CONE

SYMBOL PART NO.	GWINT / THREAD		WYMIARY / DIMENSIONS				
	E	F	A	B	L	S1	S2
3B-02	G1/8"×28	G1/8"×28	5.5	5.5	21	14	14
3B-02-04	G1/8"×28	G1/4"×19	5.5	5.5	23	14	19
3B-04	G1/4"×19	G1/4"×19	5.5	5.5	25	19	19
3B-04-06	G1/4"×19	G3/8"×19	5.5	6.3	26.5	19	22
3B-04-08	G1/4"×19	G1/2"×14	5.5	7.5	28.5	19	27
3B-06	G3/8"×19	G3/8"×19	6.3	6.3	27	22	22
3B-06-08	G3/8"×19	G1/2"×14	6.3	7.5	29.5	22	27
3B-08	G1/2"×14	G1/2"×14	7.5	7.5	31	27	27
3B-08-10	G1/2"×14	G5/8"×14	7.5	9.5	31.5	27	30
3B-08-12	G1/2"×14	G3/4"×14	7.5	10.9	32.5	27	32
3B-10	G5/8"×14	G5/8"×14	9.5	9.5	31.5	30	30
3B-10-12	G5/8"×14	G3/4"×14	9.5	10.9	33	30	32
3B-12	G3/4"×14	G3/4"×14	10.9	10.9	33.5	32	32
3B-12-16	G3/4"×14	G1"×11	10.9	11.7	35	32	41
3B-16	G1"×11	G1"×11	11.7	11.7	36.5	41	41
3B-16-20	G1"×11	G1.1/4"×11	11.7	11	37.5	41	50
3B-20	G1.1/4"×11	G1.1/4"×11	11	11	40	50	50
3B-24	G1.1/2"×11	G1.1/2"×11	13	13	42	55	55
3B-32	G2"×11	G2"×11	16	16	47	70	70



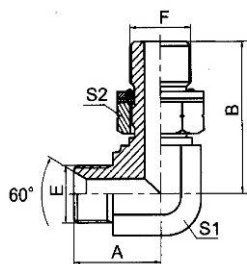
KOLANKO BB BSP

KORPUS ZŁĄCZKI KOLANKOWEJ BSP

1B9 - 90° ELBOW BSP MALE 60° SEAT

SYMBOL PART NO.	GWINT / THREAD		WYMIARY / DIMENSIONS		
	E	F	A	B	S1
1B9-02	G1/8"×28	G1/8"×28	19.8	19.8	11
1B9-02-04	G1/8"×28	G1/4"×19	23	25	14
1B9-04	G1/4"×19	G1/4"×19	24.5	24.5	14
1B9-04-06	G1/4"×19	G3/8"×19	26.5	27.5	16
1B9-06	G3/8"×19	G3/8"×19	27.5	27.5	16
1B9-06-08	G3/8"×19	G1/2"×14	31	34.5	22
1B9-08	G1/2"×14	G1/2"×14	34.5	34.5	22
1B9-08-12	G1/2"×14	G3/4"×14	37.5	40	27
1B9-10	G5/8"×14	G5/8"×14	35	35	22
1B9-10-12	G5/8"×14	G3/4"×14	37.5	39	30
1B9-12	G3/4"×14	G3/4"×14	40	40	27
1B9-12-16	G3/4"×14	G1"×11	43.5	46	33
1B9-16	G1"×11	G1"×11	46	46	33
1B9-16-20	G1"×11	G1.1/4"×11	50.5	50.5	41
1B9-20	G1.1/4"×11	G1.1/4"×11	50.5	50.5	41
1B9-20-24	G1.1/4"×11	G1.1/2"×11	54.5	57.5	48
1B9-24	G1.1/2"×11	G1.1/2"×11	57.5	57.5	48
1B9-32	G2"×11	G2"×11	68	68	63

Słowo kluczowe : "PN-143 BSP"



PRZYŁĄCZKA KOLANKOWA BSP

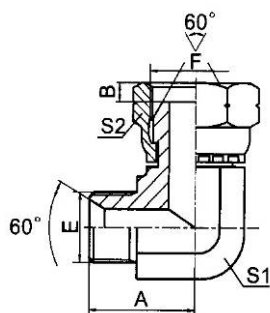
1BG9-OG

90° ELBOW BSP MALE 60° SEAT / BSP MALE

O-RING ADJUSTABLE STUD END

SYMBOL PART NO.	GWINT / THREAD		O-RING	WYMIARY / DIMENSIONS				
	E	F	F	A	B	S1	S2	
1BG9-04OG	G1/4"×19	G1/4"×19	O111	25	31.5	14	19	
1BG9-04-06OG	G1/4"×19	G3/8"×19	O113	26.5	36.8	16	22	
1BG9-06OG	G3/8"×19	G3/8"×19	O113	28	36.8	16	22	
1BG9-06-08OG	G3/8"×19	G1/2"×14	O115	31	43.2	22	27	
1BG9-08OG	G1/2"×14	G1/2"×14	O115	34.5	43.2	22	27	
1BG9-08-12OG	G1/2"×14	G3/4"×14	O119	40	49.3	27	32	
1BG9-12OG	G3/4"×14	G3/4"×14	O119	40	49.3	27	32	
1BG9-12-16OG	G3/4"×14	G1"×11	O217	45	53	33	41	
1BG9-16OG	G1"×11	G1"×11	O217	46	53	33	41	
1BG9-20-16OG	G1.1/4"×11	G1"×11	O217	50.5	58	41	41	
1BG9-20OG	G1.1/4"×11	G1.1/4"×11	O222	51.5	58	41	50	
1BG9-24OG	G1.1/2"×11	G1.1/2"×11	O224	58.5	63	48	55	

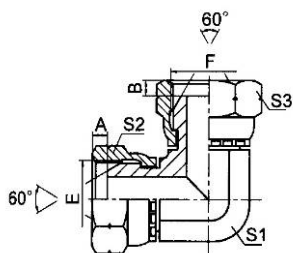
F end is connected with DIN 3852 port.



KOLANKO AB BSP

2B9 - 90° ELBOW BSP MALE 60° SEAT /
 BSP FEMALE 60° CONE

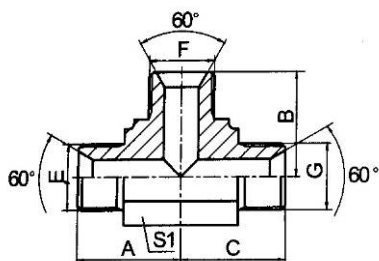
SYMBOL PART NO.	GWINT / THREAD		WYMIARY / DIMENSIONS				
	E	F	A	B	S1	S2	
2B9-02	G1/8"×28	G1/8"×28	19.8	5.5	11	14	
2B9-04	G1/4"×19	G1/4"×19	24.5	5.5	14	19	
2B9-04-06	G1/4"×19	G3/8"×19	25	6.3	14	22	
2B9-06	G3/8"×19	G3/8"×19	27.5	6.3	16	22	
2B9-06-04	G3/8"×19	G1/4"×19	27.5	5.5	16	19	
2B9-08	G1/2"×14	G1/2"×14	34.5	7.5	22	27	
2B9-08-06	G1/2"×14	G3/8"×19	34.5	6.3	22	22	
2B9-10	G5/8"×14	G5/8"×14	35	9.5	22	30	
2B9-10-08	G5/8"×14	G1/2"×14	35	7.5	22	27	
2B9-12	G3/4"×14	G3/4"×14	40	10.9	27	32	
2B9-16	G1"×11	G1"×11	46	11.7	33	41	
2B9-20	G1.1/4"×11	G1.1/4"×11	50.5	11	41	50	
2B9-24	G1.1/2"×11	G1.1/2"×11	57.5	13	48	55	
2B9-32	G2"×11	G2"×11	72.5	16	63	70	



KOLANKO AA

3B9 - 90° ELBOW BSP FEMALE 60° CONE

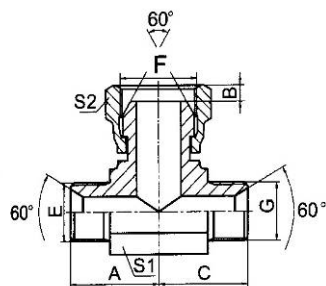
SYMBOL PART NO.	GWINT / THREAD		WYMIARY / DIMENSIONS				
	E	F	A	B	L	S1	S2
3B9-02	G1/8"×28	G1/8"×28	5.5	5.5	11	14	14
3B9-04	G1/4"×19	G1/4"×19	5.5	5.5	11	19	19
3B9-06	G3/8"×19	G3/8"×19	6.3	6.3	14	22	22
3B9-08	G1/2"×14	G1/2"×14	7.5	7.5	19	27	27
3B9-10	G5/8"×14	G5/8"×14	9.5	9.5	19	30	30
3B9-12	G3/4"×14	G3/4"×14	10.9	10.9	24	32	32
3B9-16	G1"×11	G1"×11	11.7	11.7	30	41	41
3B9-20	G1.1/4"×11	G1.1/4"×11	11	11	41	50	50
3B9-24	G1.1/2"×11	G1.1/2"×11	13	13	48	55	55
3B9-32	G2"×11	G2"×11	16	16	63	70	70



TRÓJNIK BBB BSP

AB - BSP -MALE 60° SEAT TEE

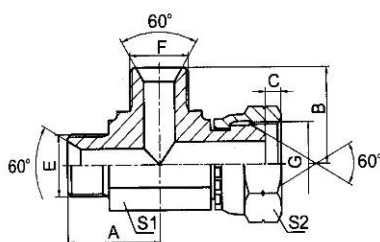
SYMBOL PART NO.	GWINT / THREAD			WYMIARY / DIMENSIONS			
	E	F	G	A	B	C	S1
AB-02	G1/8"×28	G1/8"×28	G1/8"×28	19.8	19.8	19.8	11
AB-04	G1/4"×19	G1/4"×19	G1/4"×19	24.5	24.5	24.5	14
AB-04-06-04	G1/4"×19	G3/8"×19	G1/4"×19	26.5	27.5	26.5	16
AB-06-04-06	G3/8"×19	G1/4"×19	G3/8"×19	27.5	26.5	27.5	16
AB-06	G3/8"×19	G3/8"×19	G3/8"×19	27.5	27.5	27.5	16
AB-06-08-06	G3/8"×19	G1/2"×14	G3/8"×19	31	34.5	31	22
AB-08-06-08	G1/2"×14	G3/8"×19	G1/2"×14	34.5	31	34.5	22
AB-08	G1/2"×14	G1/2"×14	G1/2"×14	34.5	34.5	34.5	22
AB-10	G5/8"×14	G5/8"×14	G5/8"×14	35	35	35	22
AB-12	G3/4"×14	G3/4"×14	G3/4"×14	40	40	40	27
AB-12-16-12	G3/4"×14	G1"×11	G3/4"×14	43.5	46	43.5	33
AB-16-12-16	G1"×11	G3/4"×14	G1"×11	46	43.5	46	33
AB-16	G1"×11	G1"×11	G1"×11	46	46	46	33
AB-20	G1.1/4"×11	G1.1/4"×11	G1.1/4"×11	50.5	50.5	50.5	41
AB-24	G1.1/2"×11	G1.1/2"×11	G1.1/2"×11	57.5	57.5	57.5	48
AB-32	G2"×11	G2"×11	G2"×11	72.5	72.5	72.5	63



TRÓJNIK BAB BSP

BB - BSP MALE 60° SEAT / BSP FEMALE 60°
CONE BRANCH TEE

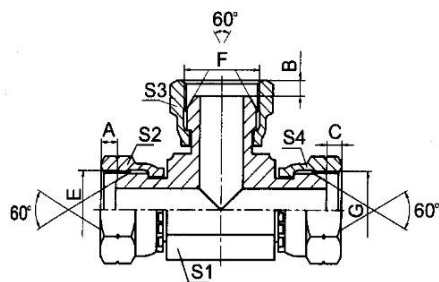
SYMBOL PART NO.	GWINT / THREAD			WYMIARY / DIMENSIONS				
	E	F	G	A	B	C	S1	S2
BB-02	G1/8"×28	G1/8"×28	G1/8"×28	19.8	5.5	19.8	11	14
BB-04	G1/4"×19	G1/4"×19	G1/4"×19	24.5	5.5	24.5	14	19
BB-06	G3/8"×19	G3/8"×19	G3/8"×19	27.5	6.3	27.5	16	22
BB-08	G1/2"×14	G1/2"×14	G1/2"×14	34.5	7.5	34.5	22	27
BB-12	G3/4"×14	G3/4"×14	G3/4"×14	40	10.9	40	27	32
BB-16	G1"×11	G1"×11	G1"×11	46	11.7	46	33	41
BB-20	G1.1/4"×11	G1.1/4"×11	G1.1/4"×11	50.5	11	50.5	41	50
BB-24	G1.1/2"×11	G1.1/2"×11	G1.1/2"×11	57.5	13	57.5	48	55
BB-32	G2"×11	G2"×11	G2"×11	72.5	16	72.5	63	70



TRÓJNIK BBA BSP

CB - BSP MALE 60° SEAT / BSP FEMALE 60°
CONE RUN TEE

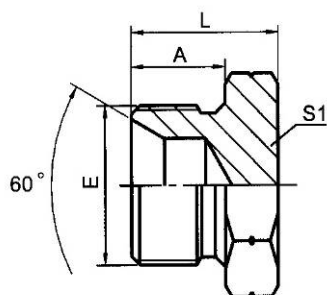
SYMBOL PART NO.	GWINT / THREAD			WYMIARY / DIMENSIONS				
	E	F	G	A	B	C	S1	S2
CB-02	G1/8"×28	G1/8"×28	G1/8"×28	19.8	19.5	5.5	11	14
CB-04	G1/4"×19	G1/4"×19	G1/4"×19	25	25	5.5	14	19
CB-06	G3/8"×19	G3/8"×19	G3/8"×19	27.5	27.5	6.3	16	22
CB-08	G1/2"×14	G1/2"×14	G1/2"×14	34.5	34.5	7.5	22	27
CB-10	G5/8"×14	G5/8"×14	G5/8"×14	34.5	34.5	9.5	22	30
CB-12	G3/4"×14	G3/4"×14	G3/4"×14	40	40	10.9	27	32
CB-16	G1"×11	G1"×11	G1"×11	46	46	11.7	33	41
CB-20	G1.1/4"×1 1	G1.1/4"×11	G1.1/4"×11	50.5	50.5	11	41	50
CB-24	G1.1/2"×1 1	G1.1/2"×11	G1.1/2"×11	57.5	57.5	13	48	55
CB-32	G2"×11	G2"×11	G2"×11	72.5	72.5	16	63	70



TRÓJNIK AAA BSP

DB - BSP FEMALE 60° CONE TEE

SYMBOL PART NO.	GWINT / THREAD			WYMIARY / DIMENSIONS		
	E	F	G	A,B,C	S1	S2,S3,S4
DB-02	G1/8"×28	G1/8"×28	G1/8"×28	5.5	11	14
DB-04	G1/4"×19	G1/4"×19	G1/4"×19	5.5	11	19
DB-06	G3/8"×19	G3/8"×19	G3/8"×19	6.3	14	22
DB-08	G1/2"×14	G1/2"×14	G1/2"×14	7.5	19	27
DB-10	G5/8"×14	G5/8"×14	G5/8"×14	9.5	19	30
DB-12	G3/4"×14	G3/4"×14	G3/4"×14	10.9	24	32
DB-16	G1"×11	G1"×11	G1"×11	11.7	30	41
DB-20	G1.1/4"×11	G1.1/4"×11	G1.1/4"×11	11	41	50
DB-24	G1.1/2"×11	G1.1/2"×11	G1.1/2"×11	13	48	55
DB-32	G2"×11	G2"×11	G2"×11	16	63	70

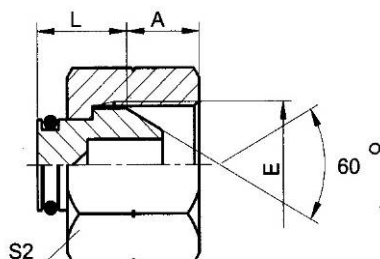


KOREK AGR

DO ZAŚLEPIENIA GWINTU WEWNĘTRZNEGO

4B - BSP MALE DOUBLE USE FOR 60° SEAT
OR BONDED SEAL PLUG

SYMBOL PART NO.	GWINT / THREAD		WYMIARY / DIMENSIONS			
	E		A	L	S1	
4B-02	G1/8"×28		10	16	14	
4B-04	G1/4"×19		12	18	19	
4B-06	G3/8"×19		13.5	21.5	22	
4B-08	G1/2"×14		16	26	27	
4B-10	G5/8"×14		17.5	27.5	30	
4B-12	G3/4"×14		18.5	29.5	32	
4B-16	G1"×11		20.5	34	41	
4B-20	G1.1/4"×11		20.5	37.5	50	
4B-24	G1.1/2"×11		23	40	55	
4B-32	G2"×11		25.5	43.5	70	



KOREK DKR

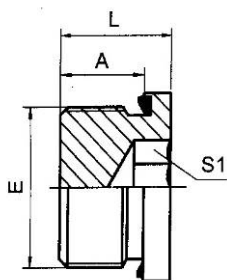
DO ZAŚLEPIENIA GWINTU ZEWNĘTRZNEGO

9B - BSP FEMALE 60° CONE PLUG

SYMBOL PART NO.	GWINT / THREAD		WYMIARY / DIMENSIONS			
	E		A	L	S2	
9B-02	G1/8"×28		5.5	11.5	14	
9B-04	G1/4"×19		5.5	13.5	19	
9B-06	G3/8"×19		6.3	14.5	22	
9B-08	G1/2"×14		7.5	16	27	
9B-10	G5/8"×14		9.5	16.5	30	
9B-12	G3/4"×14		10.9	17.5	32	
9B-16	G1"×11		11.7	19	41	
9B-20	G1.1/4"×11		11	21.5	50	
9B-24	G1.1/2"×11		13	22	55	
9B-32	G2"×11		16	26.5	70	

HYDRON hydraulika siłowa

kontakt@hydron.com.pl; www.hydron.com.pl; tel. +48 (67) 350 53 69; fax. +48 (67) 350 53 79



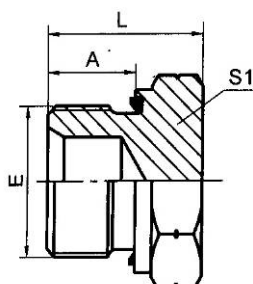
KOREK VSTI – POD IMBUS Z USZCZELKĄ

4BN-WD

BSP MALE CAPTIVE SEAL HOLLOW HEX PLUG

SYMBOL PART NO.	GWINT / THREAD	USZCZELKA CAPTIVE	WYMIARY / DIMENSIONS		
	E	E	A	L	S1
4BN-02WD	G1/8"×28	WD-B02	8	12.2	5
4BN-04WD	G1/4"×19	WD-B04	12	17.2	6
4BN-06WD	G3/8"×19	WD-B06	12	17.2	8
4BN-08WD	G1/2"×14	WD-B08	14	19.2	10
4BN-12WD	G3/4"×14	WD-B12	16	21.2	12
4BN-16WD	G1"×11	WD-B16	16	22.8	17
4BN-20WD	G1.1/4"×11	WD-B20	20	26.8	22
4BN-24WD	G1.1/2"×11	WD-B24	22	28.8	24

Kliknij aby przejść do sklepu: [korki gwintowane pod imbus](#)

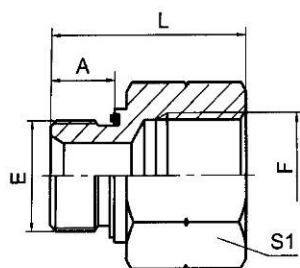


KOREK GWINTOWANY BSP Z USZCZELKĄ

4B-WD

BSP MALE CAPTIVE SEAL PLUG

SYMBOL PART NO.	GWINT / THREAD	USZCZELKA CAPTIVE	WYMIARY / DIMENSIONS		
	E	E	A	L	S1
4B-02WD	G1/8"×28	WD-B02	8	15.5	14
4B-04WD	G1/4"×19	WD-B04	12	19.6	19
4B-06WD	G3/8"×19	WD-B06	12	22.5	22
4B-08WD	G1/2"×14	WD-B08	14	25	27
4B-12WD	G3/4"×14	WD-B12	16	29	32
4B-16WD	G1"×11	WD-B16	16	35	41
4B-20WD	G1.1/4"×11	WD-B20	20	37	50
4B-24WD	G1.1/2"×11	WD-B24	22	40	55

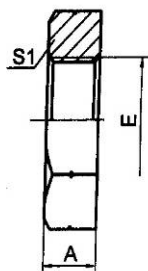


TULEJA RÓŻNICOWA Z USZCZELKĄ ED

5B-WD

BSP MALE CAPTIVE SEAL / BSP FEMALE ISO 1179

SYMBOL PART NO.	GWINT / THREAD		USZCZELKA CAPTIVE		WYMIARY / DIMENSIONS		
	E	F	E		A	L	S1
5B-02-04WD	G1/8"×28	G1/4"×19	WD-B02		8	30.5	19
5B-02-06WD	G1/8"×28	G3/8"×19	WD-B02		8	33.5	22
5B-04-02WD	G1/4"×19	G1/8"×28	WD-B04		12	31.5	19
5B-04-06WD	G1/4"×19	G3/8"×19	WD-B04		12	37	22
5B-04-08WD	G1/4"×19	G1/2"×14	WD-B04		12	43	27
5B-06-02WD	G3/8"×19	G1/8"×28	WD-B06		12	35.5	22
5B-06-04WD	G3/8"×19	G1/4"×19	WD-B06		12	37.5	22
5B-06-08WD	G3/8"×19	G1/2"×14	WD-B06		12	43.5	27
5B-08-04WD	G1/2"×14	G1/4"×19	WD-B08		14	38	27
5B-08-06WD	G1/2"×14	G3/8"×19	WD-B08		14	41	27
5B-08-12WD	G1/2"×14	G3/4"×14	WD-B08		14	46	36
5B-12-08WD	G3/4"×14	G1/2"×14	WD-B12		16	47.5	32
5B-12-16WD	G3/4"×14	G1"×11	WD-B12		16	53.5	41
5B-12-20WD	G3/4"×14	G1.1/4"×11	WD-B12		16	54.5	50
5B-16-12WD	G1"×11	G3/4"×14	WD-B16		18	50.5	41
5B-16-20WD	G1"×11	G1.1/4"×11	WD-B16		18	56.5	50
5B-20-16WD	G1.1/4"×11	G1"×11	WD-B20		20	57.5	50
5B-20-24WD	G1.1/4"×11	G1.1/2"×11	WD-B20		20	59.5	55
5B-20-32WD	G1.1/4"×11	G2"×11	WD-B20		20	64	70
5B-24-16WD	G1.1/2"×11	G1"×11	WD-B24		22	59.5	55
5B-24-20WD	G1.1/2"×11	G1.1/4"×11	WD-B24		22	60	55
5B-24-32WD	G1.1/2"×11	G2"×11	WD-B24		22	66	70



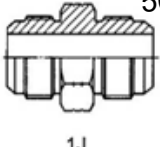

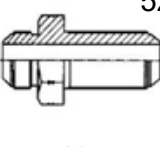
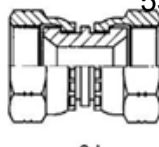
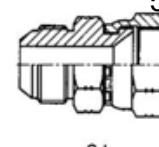
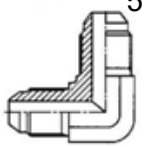
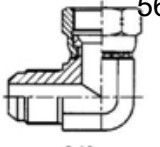
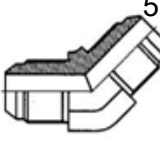
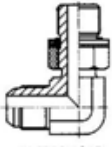
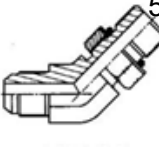
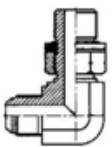
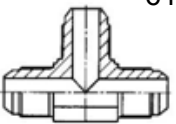
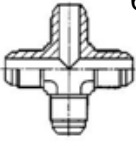
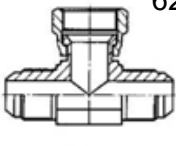
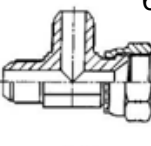
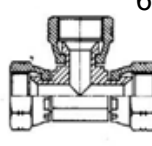
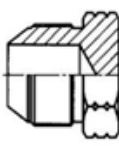
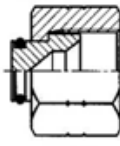
PRZECIWNAKRĘTKA BSP

8B - BSP LOCK NUT

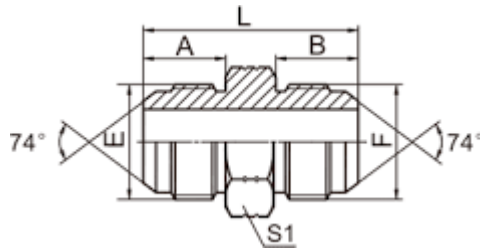
SYMBOL PART NO.	GWINT / THREAD		WYMIARY / DIMENSIONS			
	E		A	S1		
8B-02	G1/8"×28		5.5	14		
8B-04	G1/4"×19		6.5	19		
8B-06	G3/8"×19		7	22		
8B-08	G1/2"×14		9	27		
8B-10	G5/8"×14		9	30		
8B-12	G3/4"×14		10.5	32		
8B-16	G1"×11		10.5	41		
8B-20	G1.1/4"×11		10.5	50		
8B-24	G1.1/2"×11		10.5	55		
8B-32	G2"×11		10.5	70		

ZŁĄCZKI JIC

JIC 74° CONE FLARED TUBE FITTINGS

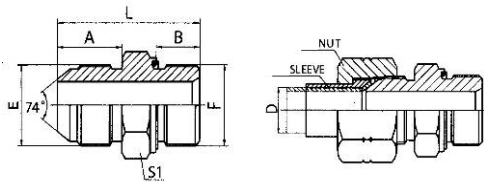
 1J	 1JB-WD	 6J	 3J	 2J	 1J9
 2J9	 1J4	 1JH9-OG	 1JO4-OG	 1JG9-OG	 AJ
 XJ	 BJ	 CJ	 DJ	 4J	 9J

- 50 Złączka prosta
- 51 Przyłączka prosta BSP/JIC
- 52 Złączka prosta grodziowa
- 53 Złączka nakrętna AA
- 54 Złączka nakrętna AB
- 55 Kolanko BB
- 56 Kolanko AB
- 57 Kolanko BB 45
- 58 Przyłączka kolankowa
- 59 Przyłączka kolankowa 45
- 60 Przyłączka kolankowa BSP/JIC
- 61 Trójnik BBB
- 61 Czwórnik BBBB
- 62 Trójnik BAB
- 63 Trójnik BBA
- 63 Trójnik AAA
- 64 Korek / zaślepka AGJ
- 64 Korek / zaślepka DKJ

**ZŁĄCZKA PROSTA JIC**

JIC MALE 74° CONE

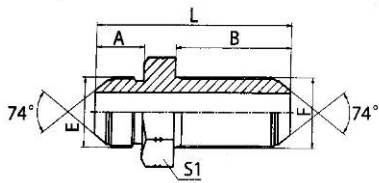
SYMBOL PART NO.	GWINT / THREAD		WYMIARY / DIMENSIONS			
	E	F	A	B	L	S1
1J-02	5/16"×24	5/16"×24	11.4	11.4	29	12
1J-02-03	5/16"×24	3/8"×24	11.4	12.2	29.5	12
1J-03	3/8"×24	3/8"×24	12.2	12.2	30.5	12
1J-04	7/16"×20	7/16"×20	14	14	34	12
1J-04-05	7/16"×20	1/2"×20	14	14	34	14
1J-04-06	7/16"×20	9/16"×18	14	14.1	34.1	17
1J-04-08	7/16"×20	3/4"×16	14	16.7	38.5	22
1J-05	1/2"×20	1/2"×20	14	14	34	14
1J-05-06	1/2"×20	9/16"×18	14	14.1	34	17
1J-05-08	1/2"×20	3/4"×16	14	16.7	38.5	22
1J-05-10	1/2"×20	7/8"×14	14	19.3	41	24
1J-06	9/16"×18	9/16"×18	14.4	14.1	34.2	17
1J-06-08	9/16"×18	3/4"×16	14.1	16.7	38.5	22
1J-06-10	9/16"×18	7/8"×14	14.1	19.3	41.5	24
1J-06-12	9/16"×18	1.1/16"×12	14.1	21.9	46	30
1J-08	3/4"×16	3/4"×16	16.7	16.7	42	22
1J-08-10	3/4"×16	7/8"×14	16.7	19.3	44	24
1J-08-12	3/4"×16	1.1/16"×12	16.7	21.9	48.5	30
1J-08-16	3/4"×16	1.5/16"×12	16.7	23.1	51	36
1J-10	7/8"×14	7/8"×14	19.3	19.3	46.5	24
1J-10-12	7/8"×14	1.1/16"×12	19.3	21.9	51	30
1J-10-16	7/8"×14	1.5/16"×12	19.3	23.1	53.5	36
1J-12	1.1/16"×12	1.1/16"×12	21.9	21.9	54	30
1J-12-14	1.1/16"×12	1.3/16"×12	21.9	22.6	55.5	32
1J-12-16	1.1/16"×12	1.5/16"×12	21.9	23.1	56	36
1J-14	1.3/16"×12	1.3/16"×12	22.6	22.6	56	32
1J-14-16	1.3/16"×12	1.5/16"×12	22.6	23.1	56.5	36
1J-16	1.5/16"×12	1.5/16"×12	23.1	22.6	57	36
1J-16-20	1.5/16"×12	1.5/8"×12	23.1	23.1	60.5	46
1J-16-24	1.5/16"×12	1.7/8"×12	23.1	23.1	65.5	50
1J-20	1.5/8"×12	1.5/8"×12	24.3	24.3	62	46

**PRZYŁĄCZKA PROSTA Z USZCZELKĄ ED BSP/ JIC**

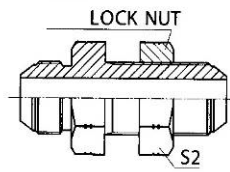
JIC MALE 74° CONE / BSP MALE CAPTIVE SEAL

1JB-WD

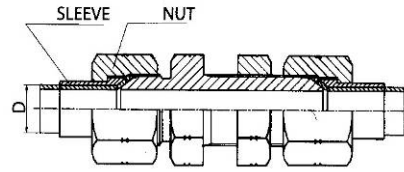
SYMBOL PART NO.	GWINT / THREAD		WYMIARY / DIMENSIONS			
	E	F	A	B	L	S1
1JB-04-02WD	7/16"×20	G1/8"×28	14	8	29.5	14
1JB-04WD	7/16"×20	G1/4"×19	14	12	34	19
1JB-04-06WD	7/16"×20	G3/8"×19	14	12	34.5	22
1JB-04-08WD	7/16"×20	G1/2"×14	14	14	41	27
1JB-05-04WD	1/2"×20	G1/4"×19	14	12	34	19
1JB-05-06W	1/2"×20	G3/8"×19	14	12	34.5	22
1JB-06-02WD	9/16"×18	G1/8"×28	14.1	8	29.5	17
1JB-06-04WD	9/16"×18	G1/4"×19	14.1	12	34	19
1JB-06WD	9/16"×18	G3/8"×19	14.1	12	34.5	22
1JB-06-08WD	9/16"×18	G1/2"×14	14.1	14	41	27
1JB-08-04WD	3/4"×16	G1/4"×19	16.7	12	37	22
1JB-08-06WD	3/4"×16	G3/8"×19	16.7	12	37.5	22
1JB-08WD	3/4"×16	G1/2"×14	16.7	14	43.5	27
1JB-10-08WD	7/8"×14	G1/2"×14	19.3	14	46.5	27
1JB-10-12WD	7/8"×14	G3/4"×14	19.3	16	47.5	32
1JB-12-08WD	1.1/16"×12	G1/2"×14	21.9	14	48.5	30
1JB-12WD	1.1/16"×12	G3/4"×14	21.9	16	50	32
1JB-12-16WD	1.1/16"×12	G1"×11	21.9	18	56	41
1JB-16-12WD	1.5/16"×12	G3/4"×14	23.1	16	53	36
1JB-16WD	1.5/16"×12	G1"×11	23.1	18	57	41
1JB-16-20WD	1.5/16"×12	G1.1/4"×11	23.1	20	61	50
1JB-20-16WD	1.5/8"×12	G1"×11	24.3	18	58	46
1JB-20WD	1.5/8"×12	G1.1/4"×11	24.3	20	62	50
1JB-20-24WD	1.5/8"×12	G1.1/2"×11	24.3	22	64	55
1JB-24-20WD	1.7/8"×12	G1.1/4"×11	27.5	20	65.5	50
1JB-24WD	1.7/8"×12	G1.1/2"×11	27.5	22	67.5	55



6J



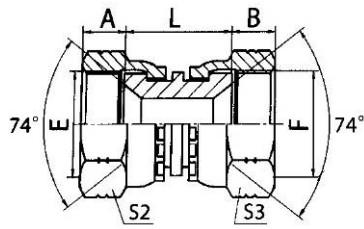
6J-LN



ZŁĄCZKA GRODZIOWA JIC

JIC MALE 74° CONE BULKHEAD

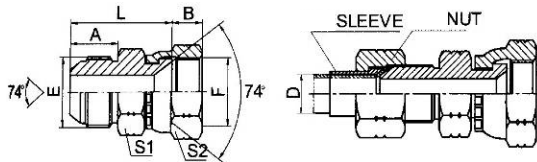
SYMBOL PART NO.	GWINT / THREAD		WYMIARY / DIMENSIONS				
	E	F	A	B	L	S1	S2
6J-04	7/16"×20	7/16"×20	14	32.5	52.5	17	17
6J-05	1/2"×20	1/2"×20	14	32.5	52.5	19	19
6J-06	9/16"×18	9/16"×18	14.1	32.5	54.5	22	22
6J-08	3/4"×16	3/4"×16	16.7	36.5	61.5	24	24
6J-10	7/8"×14	7/8"×14	19.3	40	69.5	30	30
6J-12	1.1/16"×12	1.1/16"×12	21.9	44.5	78.5	36	36
6J-14	1.3/16"×12	1.3/16"×12	22.6	44.5	79.2	38	38
6J-16	1.5/16"×12	1.5/16"×12	23.1	44.5	79.8	41	41
6J-20	1.5/8"×12	1.5/8"×12	24.3	45.7	84	50	50
6J-24	1.7/8"×12	1.7/8"×12	27.5	46	89.5	55	55
6J-32	2.1/2"×12	2.1/2"×12	33.9	53.1	106.5	70	70

**3J****ZŁĄCZKA AA JIC**

3J

JIC FEMALE 74° SEAT

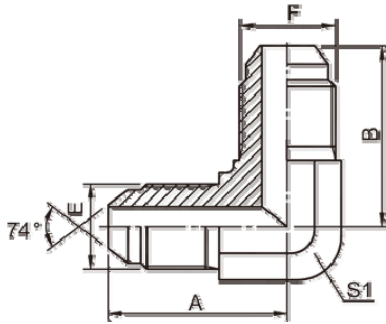
SYMBOL PART NO.	GWINT / THREAD		WYMIARY / DIMENSIONS				
	E	F	A	B	L	S2	S3
3J-04	7/16"×20	7/16"×20	9	9	19	15	15
3J-05	1/2"×20	1/2"×20	9.5	9.5	21	17	17
3J-06	9/16"×18	9/16"×18	10.5	10.5	21	19	19
3J-06-08	9/16"×18	3/4"×16	10.5	11	23	19	24
3J-08	3/4"×16	3/4"×16	11	11	26	24	24
3J-10	7/8"×14	7/8"×14	13	13	27	27	27
3J-12	1.1/16"×12	1.1/16"×12	15	15	29	32	32
3J-16	1.5/16"×12	1.5/16"×12	16	16	29	41	41
3J-20	1.5/8"×12	1.5/8"×12	17	17	35	50	50
3J-24	1.7/8"×12	1.7/8"×12	20	20	37	55	55

**ZŁĄCZKA AB JIC**

JIC MALE 74° CONE / JIC FEMALE 74° SEAT

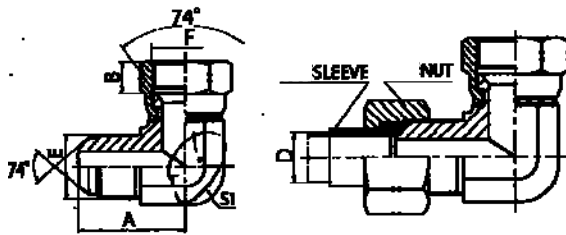
2J

SYMBOL PART NO.	GWINT / THREAD		WYMIARY / DIMENSIONS				
	E	F	A	B	L	S1	S2
2J-04	7/16"×20	7/16"×20	14	9	28	12	15
2J-04-05	7/16"×20	1/2"×20	14	9.5	28.5	12	17
2J-04-06	7/16"×20	9/16"×18	14	10.5	28.5	14	19
2J-04-08	7/16"×20	3/4"×16	14	11	30.5	19	24
2J-05	1/2"×20	1/2"×20	14	9.5	29	14	17
2J-05-06	1/2"×20	9/16"×18	14	10.5	28.5	14	19
2J-05-08	1/2"×20	3/4"×16	14	11	30.5	19	24
2J-06	9/16"×18	9/16"×18	14.1	10.5	29	17	19
2J-06-08	9/16"×18	3/4"×16	14.1	11	31	19	24
2J-06-10	9/16"×18	7/8"×14	14.1	13	33.5	22	27
2J-08	3/4"×16	3/4"×16	16.7	11	36	22	24
2J-08-06	3/4"×16	9/16"×18	16.7	10.5	34	22	19
2J-08-10	3/4"×16	7/8"×14	16.7	13	36.5	22	27
2J-08-12	3/4"×16	1.1/16"×12	16.7	15	39.5	27	32
2J-10	7/8"×14	7/8"×14	19.3	13	39	24	27
2J-10-08	7/8"×14	3/4"×16	19.3	11	38	24	24
2J-10-12	7/8"×14	1.1/16"×12	19.3	15	42	27	32
2J-12	1.1/16"×12	1.1/16"×12	21.9	15	44.5	30	32
2J-12-10	1.1/16"×12	7/8"×14	21.9	13	43.5	30	27
2J-12-16	1.1/16"×12	1.5/16"×12	21.9	16	45.5	36	41
2J-16	1.5/16"×12	1.5/16"×12	23.1	16	46.5	36	41
2J-16-20	1.5/16"×12	1.5/8"×12	23.1	17	53	41	50
2J-20	1.5/8"×12	1.5/8"×12	24.3	17	54.5	46	50
2J-20-24	1.5/8"×12	1.7/8"×12	24.3	20	55.5	46	55
2J-24	1.7/8"×12	1.7/8"×12	27.5	20	61	50	55
2J-24-32	1.7/8"×12	2.1/2"×12	27.5	24.5	63	65	75
2J-32	2.1/2"×12	2.1/2"×12	33.9	24.5	69.5	65	75

**1J9****KOLANKO BB JIC**

90° ELBOW JIC MALE 74° CONE

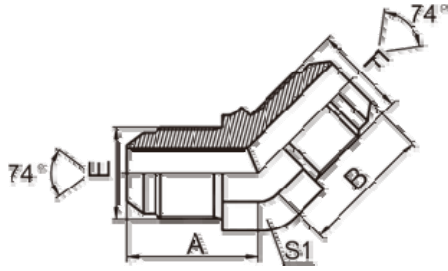
SYMBOL PART NO.	GWINT / THREAD		WYMIARY / DIMENSIONS		
	E	F	A	B	S1
1J9-02	5/16"×24	5/16"×24	20.5	20.5	11
1J9-03	3/8"×24	3/8"×24	22	22	11
1J9-04	7/16"×20	7/16"×20	24.5	24.5	11
1J9-05	1/2"×20	1/2"×20	26.6	26.6	14
1J9-05-06	1/2"×20	9/16"×18	26.6	26.9	14
1J9-06	9/16"×18	9/16"×18	26.9	26.9	14
1J9-06-08	9/16"×18	3/4"×16	30	32	19
1J9-06-10	9/16"×18	7/8"×14	32	37.8	22
1J9-08	3/4"×16	3/4"×16	32	32	19
1J9-08-10	3/4"×16	7/8"×14	34.8	37.8	22
1J9-10	7/8"×14	7/8"×14	37.8	37.8	22
1J9-10-12	7/8"×14	1.1/16"×12	41	44.2	27
1J9-12	1.1/16"×12	1.1/16"×12	44.2	44.2	27
1J9-14	1.3/16"×12	1.3/16"×12	47.5	47.5	30
1J9-16	1.5/16"×12	1.5/16"×12	49	49	33
1J9-20	1.5/8"×12	1.5/8"×12	55.5	55.5	41
1J9-24	1.7/8"×12	1.7/8"×12	62.5	62.5	48
1J9-32	2.1/2"×12	2.1/2"×12	78	78	63

**KOLANKO AB JIC**

90° ELBOW JIC MALE 74° CONE /
JIC FEMALE 74° SEAT

2J9

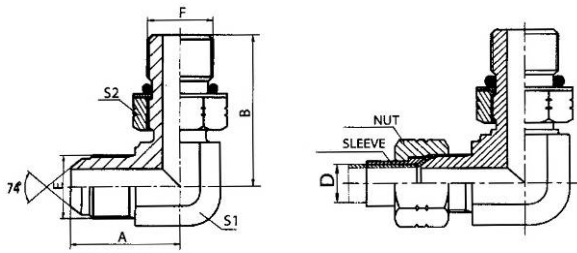
SYMBOL PART NO.	GWINT / THREAD		WYMIARY / DIMENSIONS			
	E	F	A	B	S1	S2
2J9-02	5/16"×24	5/16"×24	21	5.6	11	12
2J9-03	3/8"×24	3/8"×24	22	5	11	14
2J9-04	7/16"×20	7/16"×20	24.5	9	11	15
2J9-05	1/2"×20	1/2"×20	26.5	9.5	14	17
2J9-06	9/16"×18	9/16"×18	26.9	10.5	14	19
2J9-06-08	9/16"×18	3/4"×16	28.5	11	16	24
2J9-08-06	3/4"×16	9/16"×18	32	10.5	19	19
2J9-08	3/4"×16	3/4"×16	32	11	19	24
2J9-08-10	3/4"×16	7/8"×14	32	13	19	27
2J9-10	7/8"×14	7/8"×14	37.8	13	22	27
2J9-10-08	7/8"×14	3/4"×16	37.8	11	22	24
2J9-10-12	7/8"×14	1.1/16"×12	39.5	15	24	32
2J9-12	1.1/16"×12	1.1/16"×12	44.2	15	27	32
2J9-12-10	1.1/16"×12	7/8"×14	44.2	13	27	27
2J9-12-16	1.1/16"×12	1.5/16"×12	46	16	30	41
2J9-14	1.3/16"×12	1.3/16"×12	47.5	15	30	36
2J9-16	1.5/16"×12	1.5/16"×12	48.8	16	33	41
2J9-16-20	1.5/16"×12	1.5/8"×12	54	17	41	50
2J9-20-16	1.5/8"×12	1.5/16"×12	55.5	16	41	41
2J9-20	1.5/8"×12	1.5/8"×12	55.5	17	41	50
2J9-20-24	1.5/8"×12	1.7/8"×12	59.5	20	48	55
2J9-24-20	1.7/8"×12	1.5/8"×12	62.5	17	48	50
2J9-24	1.7/8"×12	1.7/8"×12	62.5	20	48	55
2J9-32	2.1/2"×12	2.1/2"×12	75.5	24.5	63	75

**KOLANKO BB 45 JIC**

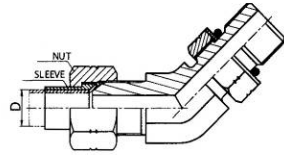
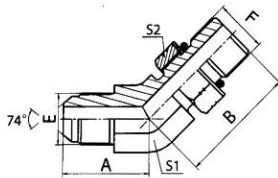
45° ELBOW JIC MALE 74° CONE

1J-4

SYMBOL PART NO.	GWINT / THREAD		WYMIARY / DIMENSIONS		
	E	F	A	B	S1
1J4-04	7/16"×20	7/16"×20	21.5	21.5	11
1J4-05	1/2"×20	1/2"×20	23	23	14
1J4-06	9/16"×18	9/16"×18	22.8	22.8	14
1J4-08	3/4"×16	3/4"×16	26.8	26.8	19
1J4-10	7/8"×14	7/8"×14	31	31	22
1J4-12	1.1/16"×12	1.1/16"×12	35.5	35.5	27
1J4-16	1.5/16"×12	1.5/16"×12	38.5	38.5	33

**PRZYŁĄCZKA KOLANKOWA 90°**
 90° ELBOW JIC MALE 74° CONE /
 SAE O-RING BOSS L-SERIES ISO 11926-3
1J09-OG

SYMBOL PART NO.	GWINT / THREAD		WYMIARY / DIMENSIONS			
	E	F	A	B	S1	S2
1J09-04-03OG	7/16"×20	3/8"×24	24.5	28	11	14
1J09-04-04OG	7/16"×20	7/16"×20	24.5	27.2	11	17
1J09-04-05OG	7/16"×20	1/2"×20	26.6	29.9	14	17
1J09-04-06OG	7/16"×20	9/16"×18	26.6	31.8	14	19
1J09-05-04OG	1/2"×20	7/16"×20	26.6	30	14	17
1J09-05-05OG	1/2"×20	1/2"×20	26.6	29	14	17
1J09-05-06OG	1/2"×20	9/16"×18	26.6	31.8	14	19
1J09-06-04OG	9/16"×18	7/16"×20	26.9	30	14	17
1J09-06-05OG	9/16"×18	1/2"×20	26.9	29.9	14	17
1J09-06-06OG	9/16"×18	9/16"×18	26.9	31.8	14	19
1J09-06-08OG	9/16"×18	3/4"×16	30	36.8	19	24
1J09-08-04OG	3/4"×16	7/16"×20	32	33	19	17
1J09-08-06OG	3/4"×16	9/16"×18	33	33.5	19	19
1J09-08-08OG	3/4"×16	3/4"×16	33	36.8	19	24
1J09-08-10OG	3/4"×16	7/8"×14	34.8	44	22	27
1J09-08-12OG	3/4"×16	1.1/16"×12	37.9	51	27	32
1J09-10-08OG	7/8"×14	3/4"×16	38	40	22	27
1J09-10-10OG	7/8"×14	7/8"×14	37.8	44	22	27
1J09-10-12OG	7/8"×14	1.1/16"×12	41	51	27	32
1J09-12-08OG	1.1/16"×12	3/4"×16	45	44	27	24
1J09-12-10OG	1.1/16"×12	7/8"×14	44.2	47	27	27
1J09-12-12OG	1.1/16"×12	1.1/16"×12	44.2	51	27	32
1J09-12-16OG	1.1/16"×12	1.5/16"×12	47.8	54.5	33	41
1J09-14-14OG	1.3/16"×12	1.3/16"×12	47.5	53	30	36
1J09-14-16OG	1.3/16"×12	1.5/16"×12	48.5	54.5	33	41
1J09-16-12OG	1.5/16"×12	1.1/16"×12	48.8	54.5	33	32
1J09-16-14OG	1.5/16"×12	1.3/16"×12	49	56	33	36
1J09-16-16OG	1.5/16"×12	1.5/16"×12	48.8	54.5	33	41
1J09-16-20OG	1.5/16"×12	1.5/8"×12	53.8	59	41	50
1J09-20-16OG	1.5/8"×12	1.5/16"×12	55.5	59.5	41	41
1J09-20-20OG	1.5/8"×12	1.5/8"×12	55.3	59	41	50
1J09-20-24OG	1.5/8"×12	1.7/8"×12	59.4	63	48	55

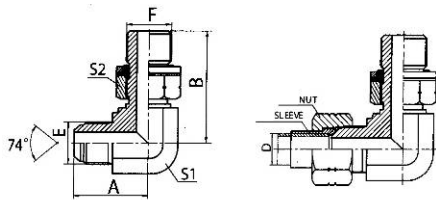


PRZYŁĄCZKA KOLANKOWA 45°

45° ELBOW JIC MALE 74° CONE /
SAE O-RING BOSS L-SERIES ISO 11926-3

1JO4-OG

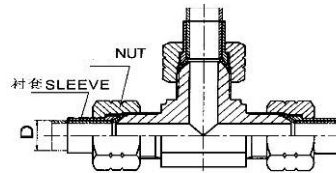
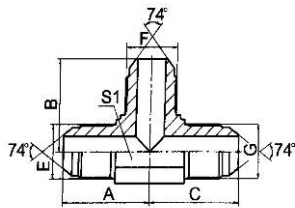
SYMBOL PART NO.	GWINT / THREAD		WYMIARY DIMENSIONS			
	E	F	A	B	S1	S2
1JO4-04OG	7/16"×20	7/16"×20	21	24	11	17
1JO4-04-06OG	7/16"×20	9/16"×18	22.3	27.5	14	19
1JO4-04-08OG	7/16"×20	3/4"×16	24.5	32.5	19	24
1JO4-05OG	1/2"×20	1/2"×20	22	26.7	14	17
1JO4-05-04OG	1/2"×20	7/16"×20	22	26.7	14	17
1JO4-06OG	9/16"×18	9/16"×18	23.5	28	14	19
1JO4-06-04OG	9/16"×18	7/16"×20	22.8	26	14	17
1JO4-06-05OG	9/16"×18	1/2"×20	22.8	26	14	17
1JO4-06-08OG	9/16"×18	3/4"×16	25	32.5	19	24
1JO4-06-10OG	9/16"×18	7/8"×14	25.5	38.5	22	27
1JO4-08OG	3/4"×16	3/4"×16	25.8	32.5	19	24
1JO4-08-06OG	3/4"×16	9/16"×18	25.5	28	19	19
1JO4-08-10OG	3/4"×16	7/8"×14	28	38.7	22	27
1JO4-08-12OG	3/4"×16	1.1/16"×12	30	43.9	27	32
1JO4-10OG	7/8"×14	7/8"×14	29.5	38.7	22	27
1JO4-10-08OG	7/8"×14	3/4"×16	29.5	33	22	27
1JO4-10-12OG	7/8"×14	1.1/16"×12	33	43.9	27	32
1JO4-12OG	1.1/16"×12	1.1/16"×12	34	43.5	27	32
1JO4-12-10OG	1.1/16"×12	7/8"×14	34	42	27	27
1JO4-12-16OG	1.1/16"×12	1.5/16"×12	37	45.5	33	41
1JO4-14OG	1.3/16"×12	1.3/16"×12	37	44	30	36
1JO4-16OG	1.5/16"×12	1.5/16"×12	38	45.5	33	41
1JO4-16-12OG	1.5/16"×12	1.1/16"×12	38	45	33	32
1JO4-16-20OG	1.5/16"×12	1.5/8"×12	40.5	47	41	50
1JO4-20OG	1.5/8"×12	1.5/8"×12	42	48.5	41	50
1JO4-20-24OG	1.5/8"×12	1.7/8"×12	46	50	48	55
1JO4-24OG	1.7/8"×12	1.7/8"×12	48	50	48	55
1JO4-32OG	2.1/2"×12	2.1/2"×12	58	54	63	70

**PRZYŁĄCZKA KOLANKOWA BSP / JIC UNF**

90° ELBOW JIC MALE 74° CONE / BSP MALE O-RING

1JG9-OG

SYMBOL PART NO.	GWINT / THREAD		WYMIARY / DIMENSIONS			
	E	F	A	B	S1	S2
1JG9-04-02OG	7/16"×20	G1/8"×28	24.5	26.2	11	14
1JG9-04-06OG	7/16"×20	G3/8"×19	27.5	36.8	16	22
1JG9-04OG	7/16"×20	G1/4"×19	26.6	31.3	14	19
1JG9-05-04OG	1/2"×20	G1/4"×19	26.5	31.8	14	19
1JG9-05-06OG	1/2"×20	G3/8"×19	27.5	35.8	16	22
1JG9-05-08OG	1/2"×20	G1/2"×14	31.5	43.2	22	27
1JG9-06-04OG	9/16"×18	G1/4"×19	26.9	31.3	14	19
1JG9-06-08OG	9/16"×18	G1/2"×14	32.5	43.2	22	27
1JG9-06OG	9/16"×18	G3/8"×19	28.5	35.8	16	22
1JG9-08-04OG	3/4"×16	G1/4"×19	32	33.5	19	19
1JG9-08OG	3/4"×16	G1/2"×14	34.8	43.2	22	27
1JG9-08-06OG	3/4"×16	G3/8"×19	32	36.8	19	22
1JG9-08-12OG	3/4"×16	G3/4"×14	37.9	49.3	27	32
1JG9-10-06OG	7/8"×14	G3/8"×19	37.8	39.2	22	22
1JG9-10-08OG	7/8"×14	G1/2"×14	37.8	43.2	22	27
1JG9-10-12OG	7/8"×14	G3/4"×14	41	49.3	27	32
1JG9-12OG	1.1/16"×12	G3/4"×14	44.2	49.3	27	32
1JG9-12-08OG	1.1/16"×12	G1/2"×14	44.2	46.5	27	27
1JG9-12-16OG	1.1/16"×12	G1"×11	48	53	33	41
1JG9-16OG	1.5/16"×12	G1"×11	49	53	33	41
1JG9-16-12OG	1.5/16"×12	G3/4"×14	49	53	33	32
1JG9-16-20OG	1.5/16"×12	G1.1/4"×11	53.8	58	41	50
1JG9-20OG	1.5/8"×12	G1.1/4"×11	55.5	58	41	50
1JG9-20-16OG	1.5/8"×12	G1"×11	55.5	58	41	41
1JG9-24-16OG	1.7/8"×12	G1"×11	62.5	63	48	41
1JG9-24-20OG	1.7/8"×12	G1.1/4"×11	62.5	63	48	50
1JG9-24OG	1.7/8"×12	G1.1/2"×11	62.5	63	48	55

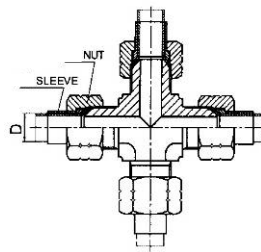
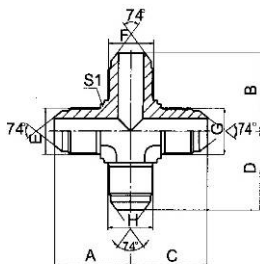


TRÓJNIK BBB JIC

JIC MALE 74° CONE TEE

AJ

SYMBOL PART NO.	GWINT / THREAD			WYMIARY / DIMENSIONS			
	E	F	G	A	B	C	S1
AJ-04	7/16"×20	7/16"×20	7/16"×20	24.5	24.5	24.5	11
AJ-04-06-04	7/16"×20	9/16"×18	7/16"×20	26.6	26.9	26.6	14
AJ-05	1/2"×20	1/2"×20	1/2"×20	26	26	26	14
AJ-06-04-06	9/16"×18	7/16"×20	9/16"×18	26.9	26.6	26.9	14
AJ-06	9/16"×18	9/16"×18	9/16"×18	26.9	26.9	26.9	14
AJ-08	3/4"×16	3/4"×16	3/4"×16	32	32	32	19
AJ-08-06-08	3/4"×16	9/16"×18	3/4"×16	32	30	32	19
AJ-10	7/8"×14	7/8"×14	7/8"×14	37.8	37.8	37.8	22
AJ-12	1.1/16"×12	1.1/16"×12	1.1/16"×12	44.2	44.2	44.2	27
AJ-16	1.5/16"×12	1.5/16"×12	1.5/16"×12	49	49	49	33
AJ-16-12-16	1.5/16"×12	1.1/16"×12	1.5/16"×12	49	48	49	33
AJ-20	1.5/8"×12	1.5/8"×12	1.5/8"×12	56.5	56.5	56.5	41
AJ-24	1.7/8"×12	1.7/8"×12	1.7/8"×12	63	63	63	48
AJ-32	2.1/2"×12	2.1/2"×12	2.1/2"×12	78	78	78	63

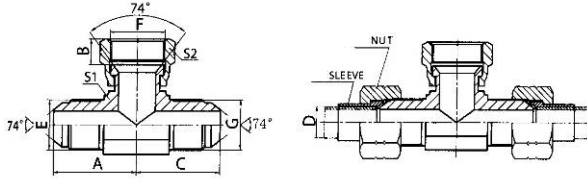


CZWRÓNIK JIC

JIC MALE 74° CONE CROSS

XJ

SYMBOL PART NO.	GWINT / THREAD	WYMIARY / DIMENSIONS	
	E,F,G,H	A,B,C,D	S1
XJ-04	7/16"×20	24.5	11
XJ-05	1/2"×20	26.5	14
XJ-06	9/16"×18	26.9	14
XJ-08	3/4"×16	32	19
XJ-10	7/8"×14	37.8	22
XJ-12	1.1/16"×12	44.2	27
XJ-16	1.5/16"×12	49	

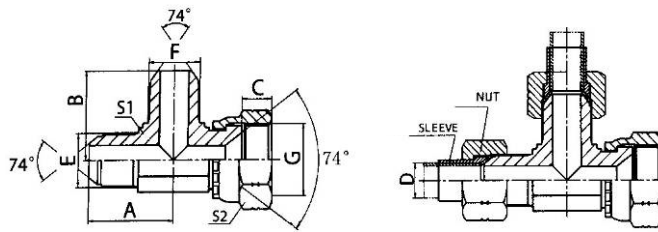


TRÓJNIK BAB JIC

JIC MALE 74° CONE /
JIC FEMALE BRANCH TEE

BJ

SYMBOL PART NO.	GWINT / THREAD			WYMIARY / DIMENSIONS				
	E	F	G	A	B	C	S1	S2
BJ-04	7/16"×20	7/16"×20	7/16"×20	24.5	9	24.5	11	15
BJ-05	1/2"×20	1/2"×20	1/2"×20	26.5	9.5	26.5	14	17
BJ-06	9/16"×18	9/16"×18	9/16"×18	26.9	10.5	26.9	14	19
BJ-08	3/4"×16	3/4"×16	3/4"×16	32	11	32	19	24
BJ-10	7/8"×14	7/8"×14	7/8"×14	37.8	14	37.8	22	27
BJ-12	1.1/16"×12	1.1/16"×12	1.1/16"×12	44.2	15	44.2	27	32
BJ-14	1.3/16"×12	1.3/16"×12	1.3/16"×12	47.5	15	47.5	30	36
BJ-16	1.5/16"×12	1.5/16"×12	1.5/16"×12	49	16	49	33	41
BJ-20	1.5/8"×12	1.5/8"×12	1.5/8"×12	56	17	56	41	50
BJ-24	1.7/8"×12	1.7/8"×12	1.7/8"×12	62.5	20	62.5	48	55
BJ-32	2.1/2"×12	2.1/2"×12	2.1/2"×12	78	24.5	78	63	75



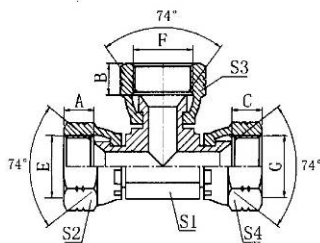
CJ

TRÓJNIK BBA JIC

JIC MALE 74° CONE /

JIC FEMALE 74° SEAT RUN TEE

SYMBOL PART NO.	GWINT / THREAD			WYMIARY / DIMENSIONS				
	E	F	G	A	B	C	S1	S2
CJ-04	7/16"×20	7/16"×20	7/16"×20	24.5	24.5	9	11	15
CJ-05	1/2"×20	1/2"×20	1/2"×20	26.5	26.5	9.5	14	17
CJ-06	9/16"×18	9/16"×18	9/16"×18	26.9	26.9	10.5	14	19
CJ-08	3/4"×16	3/4"×16	3/4"×16	32	32	9.5	19	24
CJ-10	7/8"×14	7/8"×14	7/8"×14	37.8	37.8	13	22	27
CJ-12	1.1/16"×12	1.1/16"×12	1.1/16"×12	44.2	44.2	15	27	32
CJ-14	1.3/16"×12	1.3/16"×12	1.3/16"×12	47.5	47.5	15	30	36
CJ-16	1.5/16"×12	1.5/16"×12	1.5/16"×12	49	49	16	33	41
CJ-20	1.5/8"×12	1.5/8"×12	1.5/8"×12	56	56	17	41	50
CJ-24	1.7/8"×12	1.7/8"×12	1.7/8"×12	62.5	62.5	20	48	55
CJ-32	2.1/2"×12	2.1/2"×12	2.1/2"×12	78	78	24.5	63	75

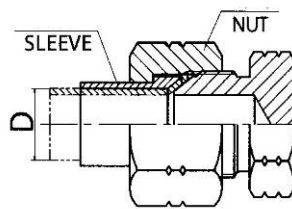
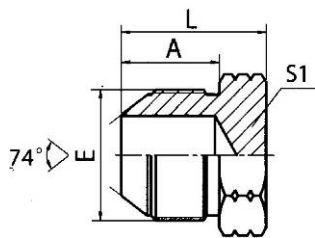


DJ

TRÓJNIK AAA JIC

JIC FEMALE 74° SEAT TEE

SYMBOL PART NO.	GWINT / THREAD			WYMIARY / DIMENSIONS		
	E	F	G	A,B,C	S1	S2,S3,S4
DJ-04	7/16"×20	7/16"×20	7/16"×20	9	11	15
DJ-05	1/2"×20	1/2"×20	1/2"×20	9.5	11	17
DJ-06	9/16"×18	9/16"×18	9/16"×18	10.5	14	19
DJ-08	3/4"×16	3/4"×16	3/4"×16	11	16	24
DJ-10	7/8"×14	7/8"×14	7/8"×14	14	22	27
DJ-12	1.1/16"×12	1.1/16"×12	1.1/16"×12	15	24	32
DJ-16	1.5/16"×12	1.5/16"×12	1.5/16"×12	16	33	41

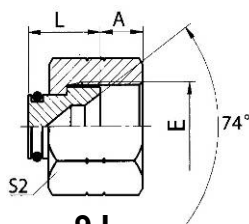


**KOREK AGJ
DO ZAŚLEPIENIA NAKRĘTKI**

JIC MALE 74° CONE PLUG

4J

SYMBOL PART NO.	GWINT / THREAD	WYMIARY / DIMENSIONS		
	E	A	L	S1
4J-04	7/16"×20	14	20	12
4J-05	1/2"×20	14	20	14
4J-06	9/16"×18	14.1	20	17
4J-08	3/4"×16	16.7	25	22
4J-10	7/8"×14	19.3	27.5	24
4J-12	1.1/16"×12	21.9	32	30
4J-14	1.3/16"×12	22.6	33.5	32
4J-16	1.5/16"×12	23.1	34	36
4J-20	1.5/8"×12	24.3	38	46
4J-24	1.7/8"×12	27.5	44.5	50
4J-32	2.1/2"×12	33.9	51	65



9J

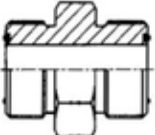
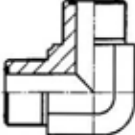
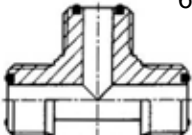
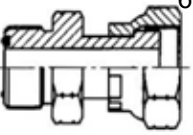
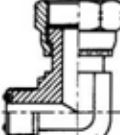
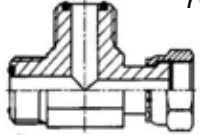

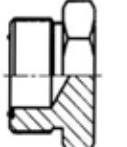
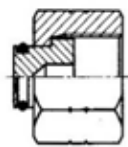
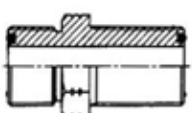
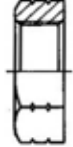
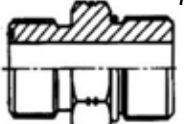
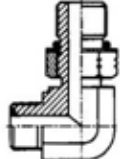
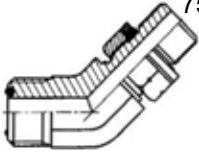
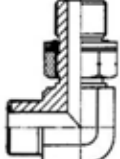
**KOREK DKJ
DO ZAŚLEPIENIA GWINTU ZEWNĘTRZNEGO**

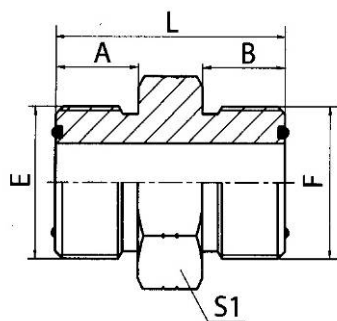
9J - JIC FEMALE 74° SEAT PLUG

SYMBOL PART NO.	GWINT / THREAD	WYMIARY / DIMENSIONS		
	E	A	L	S2
9J-04	7/16"×20	9	10.5	15
9J-05	1/2"×20	9.5	11	17
9J-06	9/16"×18	10.5	11	19
9J-08	3/4"×16	11	13	24
9J-10	7/8"×14	13	13.5	27
9J-12	1.1/16"×12	15	15	32
9J-14	1.3/16"×12	15	15	36
9J-16	1.5/16"×12	16	15.5	41
9J-20	1.5/8"×12	17	18.5	50
9J-24	1.7/8"×12	20	19	55
9J-32	2.1/2"×12	23.5	20.5	75

ZŁĄCZA ORFS

ORFS Fittings

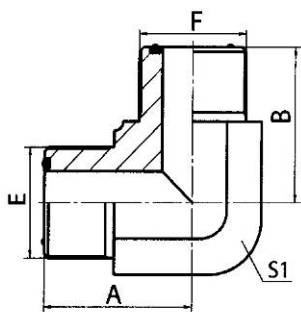
 1F	 1F9	 AF	 2F	 2F9	 CF
 3F	 4F	 9F	 6F	 8F	 1FO
 1FO9-OG	 1FG4-OG	 1FG9-OG			



ZŁĄCZE PROSTA ORFS

1F
ORFS MALE O-RING

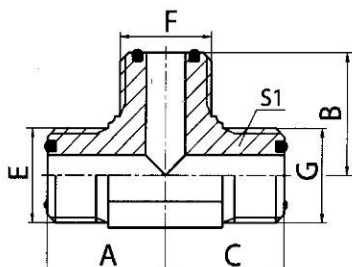
SYMBOL PART NO.	GWINT / THREAD		O-RING		WYMIARY / DIMENSIONS			
	E	F	E	F	A	B	L	S1
1F-04	9/16"×18	9/16"×18	O011	O011	9.8	9.8	27.5	17
1F-04-06	9/16"×18	11/16"×16	O011	O012	9.8	11.2	29.7	19
1F-04-08	9/16"×18	13/16"×16	O011	O014	9.8	12.8	32.5	22
1F-06	11/16"×16	11/16"×16	O012	O012	11.2	11.2	31.1	19
1F-06-08	11/16"×16	13/16"×16	O012	O014	11.2	12.8	33.8	22
1F-06-10	11/16"×16	1"×14	O012	O016	11.2	15.5	38	27
1F-08	13/16"×16	13/16"×16	O014	O014	12.8	12.8	35.4	22
1F-08-10	13/16"×16	1"×14	O014	O016	12.8	15.5	40	27
1F-08-12	13/16"×16	1.3/16"×12	O014	O018	12.8	17	43	32
1F-10	1"×14	1"×14	O016	O016	15.5	15.5	42.5	27
1F-10-12	1"×14	1.3/16"×12	O016	O018	15.5	17	45.5	32
1F-12	1.3/16"×12	1.3/16"×12	O018	O018	17	17	47.1	32
1F-12-16	1.3/16"×12	1.7/16"×12	O018	O021	17	17.5	45.5	38
1F-12-20	1.3/16"×12	1.11/16"×12	O018	O025	17	17.5	50.5	46
1F-16	1.7/16"×12	1.7/16"×12	O021	O021	17.5	17.5	49.3	38
1F-16-20	1.7/16"×12	1.11/16"×12	O021	O025	17.5	17.5	51.3	46
1F-16-24	1.7/16"×12	2"×12	O021	O029	17.5	17.5	53	55
1F-20	1.11/16"×12	1.11/16"×12	O025	O025	17.5	17.5	51.3	46
1F-20-24	1.11/16"×12	2"×12	O025	O029	17.5	17.5	53	55
1F-24	2"×12	2"×12	O029	O029	17.5	17.5	53	55



KOLANKO BB ORFS

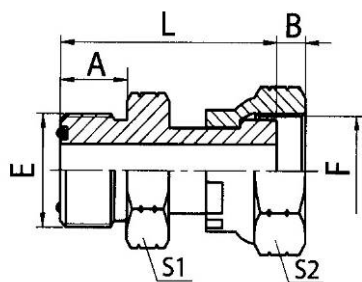
1F9
90° ELBOW ORFS MALE O-RING

SYMBOL PART NO.	GWINT / THREAD		O-RING		WYMIARY / DIMENSIONS		
	E	F	E	F	A	B	S1
1F9-04	9/16"×18	9/16"×18	O011	O011	23	23	14
1F9-04-06	9/16"×18	11/16"×16	O011	O012	25.5	27	19
1F9-06	11/16"×16	11/16"×16	O012	O012	27.5	27.5	19
1F9-06-08	11/16"×16	13/16"×16	O012	O014	29	31	22
1F9-08	13/16"×16	13/16"×16	O014	O014	31	31	22
1F9-08-12	13/16"×16	1.3/16"×12	O014	O018	35.5	40.3	30
1F9-10	1"×14	1"×14	O016	O016	36.5	36.5	27
1F9-12	1.3/16"×12	1.3/16"×12	O018	O018	41	41	30
1F9-16	1.7/16"×12	1.7/16"×12	O021	O021	44.5	44.5	36
1F9-20	1.11/16"×12	1.11/16"×12	O025	O025	47.5	47.5	41
1F9-24	2"×12	2"×12	O029	O029	53.5	53.5	50



AF ORFS MALE O-RING TEE

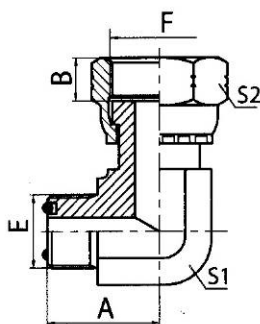
SYMBOL PART NO.	GWINT / THREAD			O-RING			WYMIARY / DIMENSIONS			
	E	F	G	E	F	G	A	B	C	S1
AF-04	9/16"×18	9/16"×18	9/16"×18	O011	O011	O011	23	23	23	14
AF-06	11/16"×16	11/16"×16	11/16"×16	O012	O012	O012	27	27	27	19
AF-08	13/16"×16	13/16"×16	13/16"×16	O014	O014	O014	31	31	31	22
AF-10	1"×14	1"×14	1"×14	O016	O016	O016	36.5	36.5	36.5	27
AF-12	1.3/16"×12	1.3/16"×12	1.3/16"×12	O018	O018	O018	40.3	40.3	40.3	30
AF-16	1.7/16"×12	1.7/16"×12	1.7/16"×12	O021	O021	O021	44.5	44.5	44.5	36
AF-20	1.11/16"×12	1.11/16"×12	1.11/16"×12	O025	O025	O025	47.5	47.5	47.5	41
AF-24	2"×12	2"×12	2"×12	O029	O029	O029	53.5	53.5	53.5	50



ZŁĄCZKA AB ORFS

2F
ORFS MALE O-RING / ORFS FEMALE

SYMBOL PART NO.	GWINT / THREAD		WYMIARY / DIMENSIONS				
	E	F	A	B	L	S1	S2
2F-04	9/16"×18	9/16"×18	9.8	8.5	33	17	19
2F-04-06	9/16"×18	11/16"×16	9.8	10	34.5	17	22
2F-04-08	9/16"×18	13/16"×16	9.8	11	36.5	19	27
2F-06-04	11/16"×16	9/16"×18	11.2	8.5	35.5	19	19
2F-06	11/16"×16	11/16"×16	11.2	10	38.5	19	22
2F-06-08	11/16"×16	13/16"×16	11.2	11	37.7	19	27
2F-06-10	11/16"×16	1"×14	11.2	13.5	43.7	24	30
2F-08-06	13/16"×16	11/16"×16	13	10	41	22	22
2F-08	13/16"×16	13/16"×16	13	11	43	22	27
2F-08-10	13/16"×16	1"×14	13	13.5	45.5	24	30
2F-08-12	13/16"×16	1.3/16"×12	13	15	49	30	36
2F-10-08	1"×14	13/16"×16	15.5	11	47.5	27	27
2F-10	1"×14	1"×14	15.5	13.5	51.5	27	30
2F-10-12	1"×14	1.3/16"×12	15.5	15	51.5	30	36
2F-10-16	1"×14	1.7/16"×12	15.5	15	56	36	41
2F-12-08	1.3/16"×12	13/16"×16	17	11	50.5	32	27
2F-12-10	1.3/16"×12	1"×14	17	13.5	54.5	32	30
2F-12	1.3/16"×12	1.3/16"×12	17	15	56	32	36
2F-12-16	1.3/16"×12	1.7/16"×12	17	15	58	36	41
2F-16-12	1.7/16"×12	1.3/16"×12	17.5	15	58	38	36
2F-16	1.7/16"×12	1.7/16"×12	17.5	15	60	38	41
2F-16-20	1.7/16"×12	1.11/16"×12	17.5	15	62	41	50
2F-20-16	1.11/16"×12	1.7/16"×12	17.5	15	58.5	46	41
2F-20	1.11/16"×12	1.11/16"×12	17.5	15	62	46	50
2F-20-24	1.11/16"×12	2"×12	17.5	16	65.5	50	60
2F-24-20	2"×12	1.11/16"×12	17.5	15	64	55	50
2F-24	2"×12	2"×12	17.5	16	64	55	60

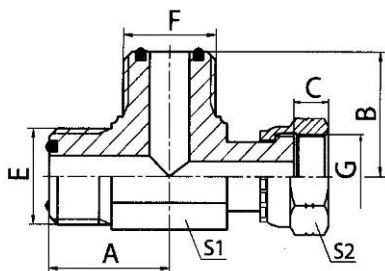


KOLANKO AB ORFS

2F9

90° ELBOW ORFS MALE O-RING / ORFS FEMALE

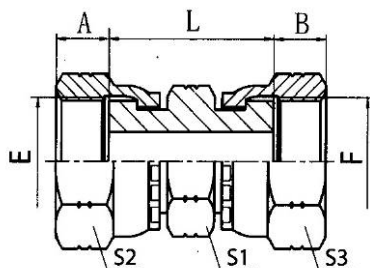
SYMBOL PART NO.	GWINT / THREAD		WYMIARY / DIMENSIONS			
	E	F	A	B	S1	S2
2F9-04	9/16"×18	9/16"×18	23	8.5	14	19
2F9-04-06	9/16"×18	11/16"×16	23	10	14	22
2F9-06-04	11/16"×16	9/16"×18	27.5	8.5	19	19
2F9-06	11/16"×16	11/16"×16	27.5	10	19	22
2F9-06-08	11/16"×16	13/16"×16	27	11	19	27
2F9-08-06	13/16"×16	11/16"×16	31	10	22	22
2F9-08	13/16"×16	13/16"×16	31	11	22	27
2F9-10-08	1"×14	13/16"×16	36.5	11	27	27
2F9-10	1"×14	1"×14	36.5	15	27	30
2F9-10-12	1"×14	1.3/16"×16	36.5	15	27	36
2F9-12	1.3/16"×12	1.3/16"×12	41	15	30	36
2F9-12-16	1.3/16"×12	1.7/16"×12	42.5	15	33	41
2F9-16-12	1.7/16"×12	1.3/16"×16	44.5	15	36	36
2F9-16	1.7/16"×12	1.7/16"×12	44.5	15	36	41
2F9-20	1.11/16"×12	1.11/16"×12	44.5	15	41	50
2F9-24	2"×12	2"×12	53.5	15	50	60



TRÓJNIK BAB ORFS

CF
ORFS MALE O-RING / ORFS FEMALE RUN TEE

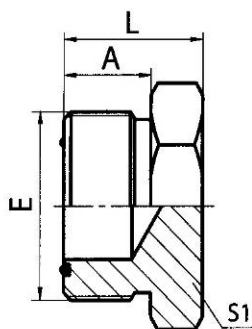
SYMBOL PART NO.	GWINT / THREAD			WYMIARY / DIMENSIONS				
	E	F	G	A	B	C	S1	S2
CF-04	9/16"×18	9/16"×18	9/16"×18	23	23	8.5	14	19
CF-06	11/16"×16	11/16"×16	11/16"×16	27.5	27.5	10	19	22
CF-08	13/16"×16	13/16"×16	13/16"×16	31	31	11	22	27
CF-10	1"×14	1"×14	1"×14	36.5	36.5	13.5	27	30
CF-12	1.3/16"×12	1.3/16"×12	1.3/16"×12	40.3	40.3	15	30	36
CF-16	1.7/16"×12	1.7/16"×12	1.7/16"×12	44.5	44.5	15	36	41
CF-20	1.11/16"×12	1.11/16"×12	1.11/16"×12	47.5	47.5	15	41	50
CF-24	2"×12	2"×12	2"×12	53.5	53.5	15	50	60



ZŁĄCZKA AA ORFS

3F
ORFS FEMALE

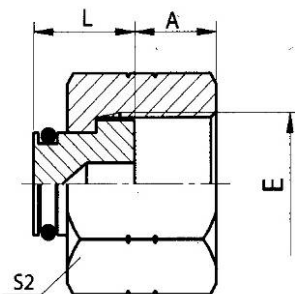
SYMBOL PART NO.	GWINT / THREAD		WYMIARY / DIMENSIONS				
	E	F	A	B	L	S1	S2,S3
3F-04	9/16"×18	9/16"×18	8.5	8.5	33.5	19	19
3F-06	11/16"×16	11/16"×16	10	10	40.5	22	22
3F-08	13/16"×16	13/16"×16	11	11	44.5	27	27
3F-10	1"×14	1"×14	13.5	13.5	52.5	30	30
3F-12	1.3/16"×12	1.3/16"×12	15	15	56	36	36
3F-16	1.7/16"×12	1.7/16"×12	15	15	60	41	41
3F-20	1.11/16"×12	1.11/16"×12	15	15	59.5	50	50
3F-24	2"×12	2"×12	16	16	64	60	60



KOREK AORFS

4F
ORFS MALE O-RING PLUG

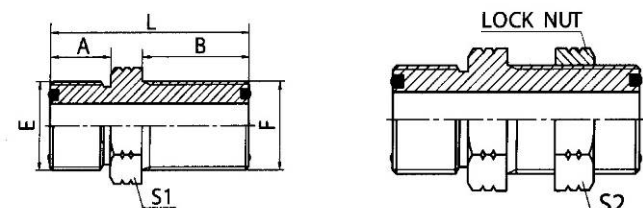
SYMBOL PART NO.	GWINT / THREAD	WYMIARY / DIMENSIONS		
	E	A	L	S1
4F-04	9/16"×18	9.8	16.8	17
4F-06	11/16"×16	11.2	19.2	19
4F-08	13/16"×16	12.8	21.8	22
4F-10	1"×14	15.5	25.9	27
4F-12	1.3/16"×12	17	27.4	32
4F-16	1.7/16"×12	17.5	27.9	38
4F-20	1.11/16"×12	17.5	27.9	46
4F-24	2"×12	17.5	27.9	55



KOREK ORFS

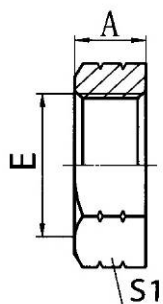
9F
ORFS FEMALE PLUG

SYMBOL PART NO.	GWINT / THREAD	WYMIARY / DIMENSIONS		
	E	A	L	S2
9F-04	9/16"×18	8.5	10.5	19
9F-06	11/16"×16	10	13	22
9F-08	13/16"×16	11	14	27
9F-10	1"×14	13.5	16	30
9F-12	1.3/16"×12	15	15	36
9F-16	1.7/16"×12	15	18	41
9F-20	1.11/16"×12	15	19	50
9F-24	2"×12	16	21	60

**6F****6F-LN****ZŁĄCZKA GRODZIOWA ORFS**

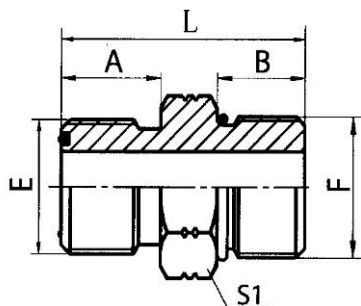
6F
ORFS MALE O-RING BULKHEAD

SYMBOL PART NO.	GWINT / THREAD		WYMIARY / DIMENSIONS				
	E	F	A	B	L	S1	S2
6F-04	9/16"×18	9/16"×18	9.8	31.5	48.2	22	22
6F-06	11/16"×16	11/16"×16	11.2	34	53.2	27	27
6F-08	13/16"×16	13/16"×16	12.8	36.5	58.3	30	30
6F-10	1"×14	1"×14	15.5	40.6	66.6	36	36
6F-12	1.3/16"×12	1.3/16"×12	17	41.7	69.2	38	38
6F-16	1.7/16"×12	1.7/16"×12	17.5	42.2	70.2	46	46
6F-20	1.11/16"×12	1.11/16"×12	17.5	42.2	70.2	50	50
6F-24	2"×12	2"×12	17.5	42.2	70.2	60	63

**PRZECIWNĄKRĘTKA ORFS**

8F
ORFS LOCK NUT

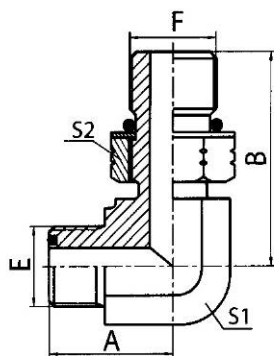
SYMBOL PART NO.	GWINT / THREAD	WYMIARY / DIMENSIONS	
	E	A	S1
8F-04	9/16"×18	7	22
8F-06	11/16"×16	8	27
8F-08	13/16"×16	9	30
8F-10	1"×14	10.4	36
8F-12	1.3/16"×12	10.4	38
8F-16	1.7/16"×12	10.4	46
8F-20	1.11/16"×12	10.4	50
8F-24	2"×12	10.4	60



PRZYŁĄCZKA ORFS

1FO
ORFS MALE O-RING /
SAE O-RING BOSS S-SERIES ISO 11926-2

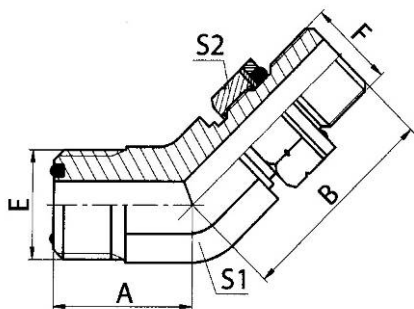
SYMBOL PART NO.	GWINT / THREAD		WYMIARY / DIMENSIONS			
	E	F	A	B	L	S1
1FO-04	9/16"×18	7/16"×20	9.8	11	28.7	17
1FO-04-05	9/16"×18	1/2"×20	9.8	11	28.7	17
1FO-04-06	9/16"×18	9/16"×18	9.8	12	29.5	17
1FO-04-08	9/16"×18	3/4"×16	9.8	14	33.5	22
1FO-06-04	11/16"×16	7/16"×20	11.2	11	31	19
1FO-06-05	11/16"×16	1/2"×20	11.2	11	30.9	19
1FO-06	11/16"×16	9/16"×18	11.2	12	31.9	19
1FO-06-08	11/16"×16	3/4"×16	11.2	14	35	22
1FO-06-10	11/16"×16	7/8"×14	11.2	16	38.5	27
1FO-08-06	13/16"×16	9/16"×18	12.8	12	34.5	22
1FO-08	13/16"×16	3/4"×16	12.8	14	36.6	22
1FO-08-10	13/16"×16	7/8"×14	12.8	16	40.5	27
1FO-08-12	13/16"×16	1.1/16"×12	12.8	18.5	44.5	32
1FO-10	1"×14	7/8"×14	15.5	16	43.1	27
1FO-10-08	1"×14	3/4"×16	15.5	14	41	27
1FO-10-12	1"×14	1.1/16"×12	15.5	18.5	47	32
1FO-12-10	1.3/16"×12	7/8"×14	17	16	46	32
1FO-12	1.3/16"×12	1.1/16"×12	17	18.5	48.6	32
1FO-12-16	1.3/16"×12	1.5/16"×12	17	18.5	49.8	38
1FO-16-12	1.7/16"×12	1.1/16"×12	17.5	18.5	50	38
1FO-16	1.7/16"×12	1.5/16"×12	17.5	18.5	50.3	38
1FO-16-20	1.7/16"×12	1.5/8"×12	17.5	18.5	52	50
1FO-20-16	1.11/16"×12	1.5/16"×12	17.5	18.5	52	46
1FO-20	1.11/16"×12	1.5/8"×12	17.5	18.5	52.3	50
1FO-24-20	2"×12	1.5/8"×12	17.5	18.5	54	55
1FO-24	2"×12	1.7/8"×12	17.5	18.5	54.1	55



PRZYŁĄCZKA KOLANKOWA ORFS

1FO9-OG
90° ELBOW ORFS MALE O-RING /
SAE O-RING BOSS S-SERIES ISO 11926-2

SYMBOL PART NO.	GWINT / THREAD		WYMIARY / DIMENSIONS			
	E	F	A	B	S1	S2
1FO9-04OG	9/16"×18	7/16"×20	23	30.3	14	17
1FO9-04-06OG	9/16"×18	9/16"×18	23	32	14	19
1FO9-06-04OG	11/16"×16	7/16"×20	27.5	33.5	19	17
1FO9-06OG	11/16"×16	9/16"×18	27.5	34.5	19	19
1FO9-06-08OG	11/16"×16	3/4"×16	27.5	38	19	24
1FO9-06-10OG	11/16"×16	7/8"×14	29	47	22	27
1FO9-08-06OG	13/16"×16	9/16"×18	31	37	22	19
1FO9-08OG	13/16"×16	3/4"×16	31	40.5	22	24
1FO9-08-10OG	13/16"×16	7/8"×14	31	45.3	22	27
1FO9-08-12OG	13/16"×16	1.1/16"×12	34.5	52	27	32
1FO9-10-08OG	1"×14	3/4"×16	36.5	45	27	24
1FO9-10OG	1"×14	7/8"×14	36.5	50.8	27	27
1FO9-10-12OG	1"×14	1.1/16"×12	36.5	52	27	32
1FO9-12-10OG	1.3/16"×12	7/8"×14	41	52.8	30	27
1FO9-12OG	1.3/16"×12	1.1/16"×12	41	54	30	32
1FO9-12-16OG	1.3/16"×12	1.5/16"×12	43	55.5	33	41
1FO9-16-12OG	1.7/16"×12	1.1/16"×12	44.5	59	36	32
1FO9-16OG	1.7/16"×12	1.5/16"×12	44.5	59	36	41
1FO9-20OG	1.11/16"×12	1.5/8"×12	47.5	60.5	41	50
1FO9-20-24OG	1.11/16"×12	1.7/8"×12	51.5	66.5	48	55
1FO9-24-20OG	2"×12	1.5/8"×12	53.5	67.5	50	50
1FO9-24OG	2"×12	1.7/8"×12	53.5	67.5	50	55

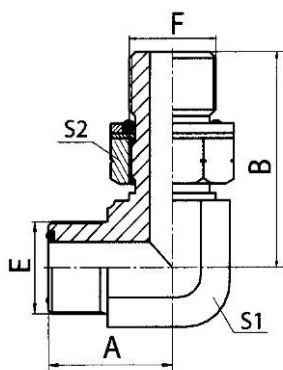


PRZYŁĄCZKA KOLANKOWA 45 BSP / ORFS

1FG4-OG

45° ELBOW ORFS MALE O-RING / BSP MALE O-RING

SYMBOL PART NO.	GWINT / THREAD		WYMIARY / DIMENSIONS			
	E	F	A	B	S1	S2
1FG4-04OG	9/16"×18	G1/4"×19	18.3	27	14	19
1FG4-04-02OG	9/16"×18	G1/8"×28	18.3	24.8	14	14
1FG4-04-06OG	9/16"×18	G3/8"×19	18	30	16	22
1FG4-06OG	11/16"×16	G3/8"×19	20.5	31	19	22
1FG4-06-04OG	11/16"×16	G1/4"×19	20.5	28	19	19
1FG4-06-08OG	11/16"×16	G1/2"×14	22	36	22	27
1FG4-08OG	13/16"×16	G1/2"×14	24	36	22	27
1FG4-08-06OG	13/16"×16	G3/8"×19	24	32	22	22
1FG4-10-08OG	1"×14	G1/2"×14	28	37.5	27	27
1FG4-10-12OG	1"×14	G3/4"×14	28	42	27	32
1FG4-12OG	1.3/16"×12	G3/4"×14	30.7	42.5	30	32
1FG4-12-08OG	1.3/16"×12	G1/2"×14	30.7	38.5	30	27
1FG4-12-16OG	1.3/16"×12	G1"×11	31.5	44	33	41
1FG4-16OG	1.7/16"×12	G1"×11	33	44.5	36	41
1FG4-16-12OG	1.7/16"×12	G3/4"×14	33	44.5	36	32
1FG4-20OG	1.11/16"×12	G1.1/4"×11	35.5	47.5	41	50



PRZYŁĄCZKA KOLANKOWA BSP / ORFS

1FG9-OG

90° ELBOW ORFS MALE O-RING / BSP MALE O-RING

SYMBOL PART NO.	GWINT / THREAD		WYMIARY / DIMENSIONS			
	E	F	A	B	S1	S2
1FG9-04-02OG	9/16"×18	G1/8"×28	23	29	14	14
1FG9-04OG	9/16"×18	G1/4"×19	23	31.3	14	19
1FG9-04-06OG	9/16"×18	G3/8"×19	24	35.8	16	22
1FG9-06-04OG	11/16"×16	G1/4"×19	27	33.5	19	19
1FG9-06OG	11/16"×16	G3/8"×19	27	36.8	19	22
1FG9-06-08OG	11/16"×16	G1/2"×14	29	43.2	22	27
1FG9-08-06OG	13/16"×16	G3/8"×19	31	39.5	22	22
1FG9-08OG	13/16"×16	G1/2"×14	31	43.2	22	27
1FG9-10-08OG	1"×14	G1/2"×14	36.5	46.5	27	27
1FG9-10-12OG	1"×14	G3/4"×14	36.5	49.3	27	32
1FG9-12-08OG	1.3/16"×12	G1/2"×14	40.3	47.5	30	27
1FG9-12OG	1.3/16"×12	G3/4"×14	40.3	52	30	32
1FG9-12-16OG	1.3/16"×12	G1"×11	42.5	53	33	41
1FG9-16-12OG	1.7/16"×12	G3/4"×14	44.5	56	36	32
1FG9-16OG	1.7/16"×12	G1"×11	44.5	56	36	41
1FG9-20-16OG	1.11/16"×12	G1"×11	47.5	60	41	41
1FG9-20OG	1.11/16"×12	G1.1/4"×11	47.5	60	41	50
1FG9-24OG	2"×12	G1.1/2"×11	51.5	65.5	50	55